

Accelerator Switch



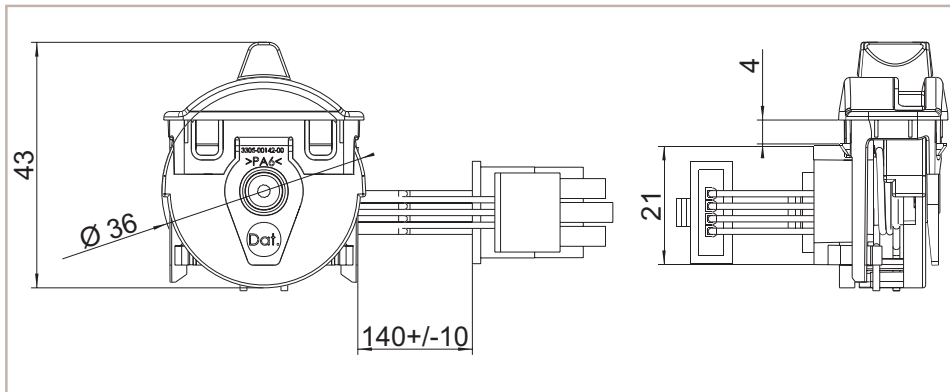
ANALOGUE SWITCH

The analogue switch is an innovative development for the proportional-button. Due to its small dimension and the ergonomic design, the analogue switch can be used in different applications (mostly as 1-axis-joystick in operator panels). The switch can be etched individually by a laser. You can find our standard-symbols on a separate data sheet 2.3. Because of its features the analogue switch can also be used as a throttle.

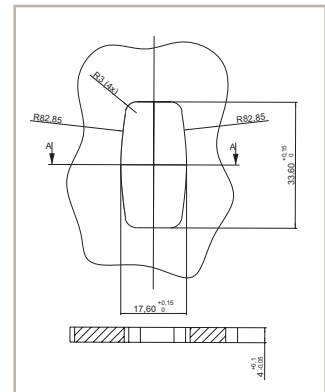
- Different characteristic curves
- Integrated digital outputs
- High resolution
- Zero position centred or limit stop
- Ergonomic handling
- Protection class IP 65
- By request we can laser customer-specified symbols
- Variant with long fingertip available

Accelerator Switch

Dimensions [mm]



Mounting Hole [mm]



Technical Specifications

Analogue Switch

Sensor	Plastic film potentiometer
Power supply potentiometer	Max. 15 V _{DC}
Resistor	5 k Ω (wig-wag signal)
Resistor	2 x 2.5 k Ω (parallel single-ended signal)
Resistor tolerance	$\pm 20\%$
Wiper current	< 0.5 mA
Switching current	Max. 4 mA
Electrical angle	$\pm 25^\circ$
Mechanical angle	$\pm 30^\circ$
Switching point destination indicator	$\pm 5.5^\circ$
Switching current destination indicator	Max. 5 mA / 60 V (resistive load)
Increase single-ended signal	$\pm 6^\circ$
Storage temperature	-30°C to +60°C
Protection class (DIN 40050-9)	IP 65 (except connector)
Operating temperature	-40°C to +85°C
Life time	1,000,000 cycles

Connector Pin Assignment Molex Mini-Fit, Jr.™

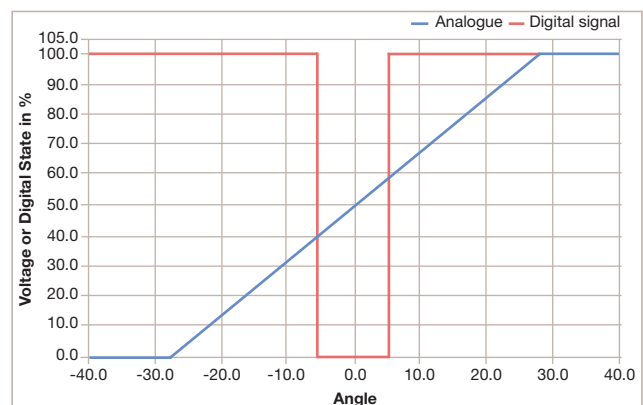
3-Pin Potentiometer 39-01-4030

PIN 1	Supply potentiometer
PIN 2	Signal output (wiper)
PIN 3	Supply potentiometer

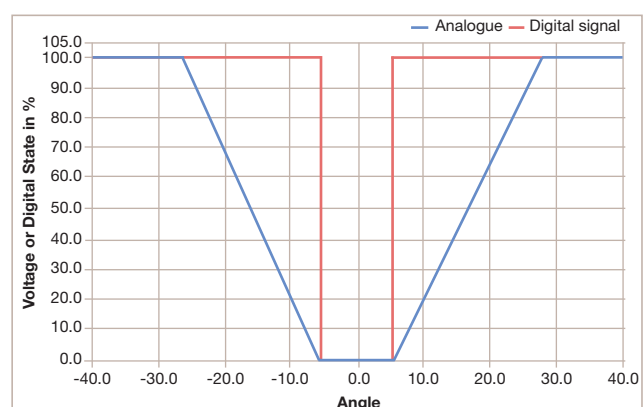
4-Pin Digital Signals 39-01-4040

PIN 1	Direction 2
PIN 2	Common (+)
PIN 3	Not reserved
PIN 4	Direction 1

Characteristic Curve (Wig-Wag Signal)



Characteristic Curve (Single-Ended Signal)



Order Data

Part No.	Description
3205-00322-00	Analogue switch with wig-wag signal centred, without symbol
3205-00322-0V	Analogue switch with wig-wag signal centred, symbol raise / lower
3205-00323-00	Analogue switch with single-ended signal centred, without symbol
3205-00323-0V	Analogue switch with single-ended signal centred, symbol raise / lower