

MR240FRS

PERFORMANCE FEATURES

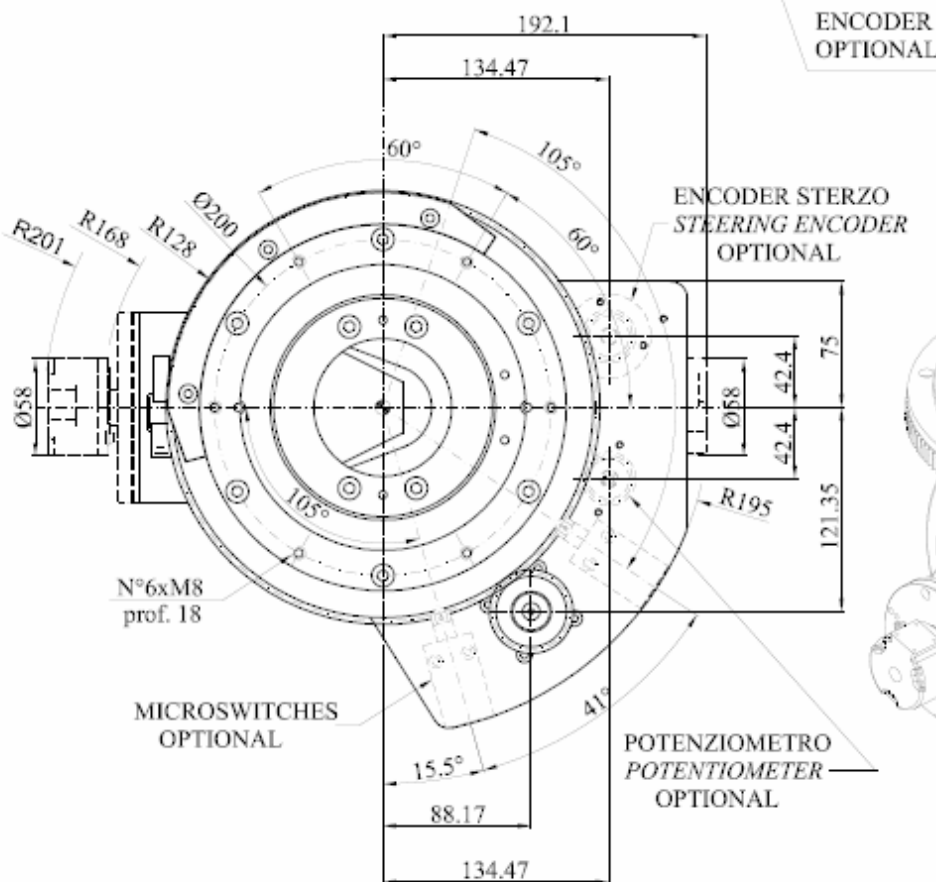
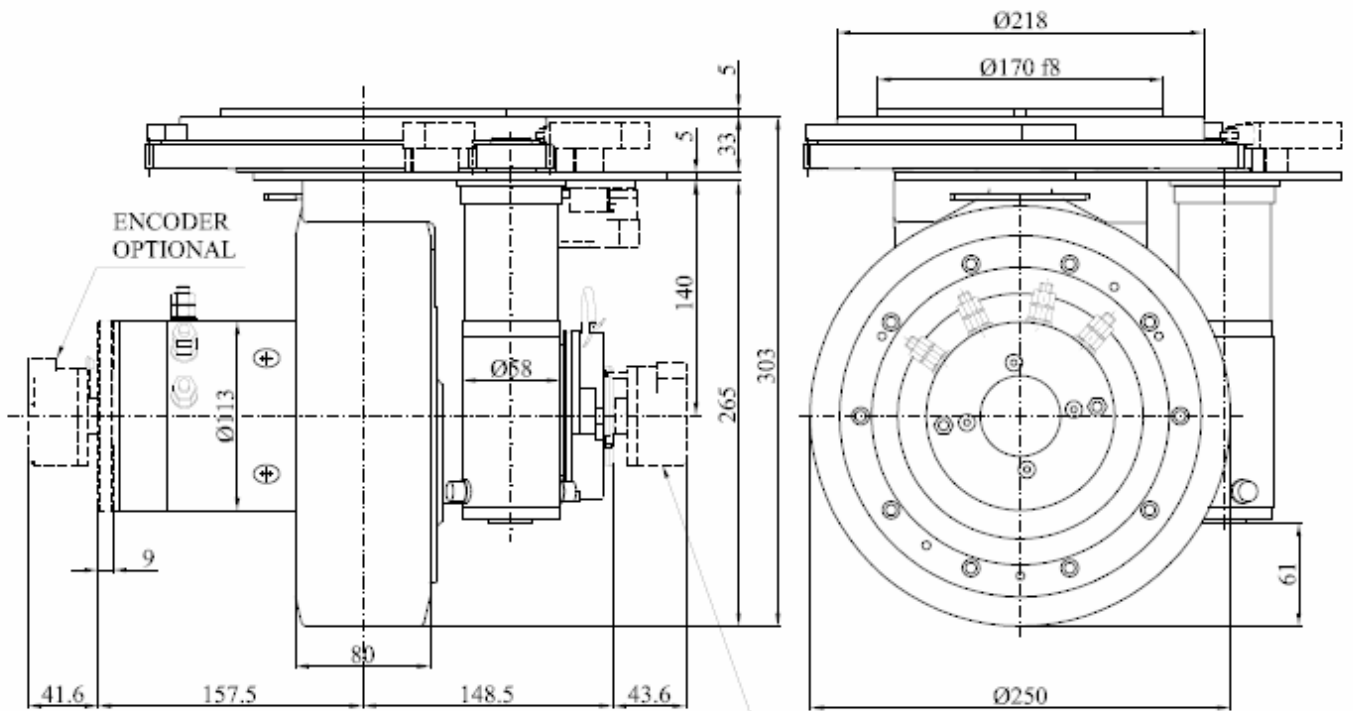
		700W, 24V, 2500rpm, PM	500W, 24V, 3000rpm, PM	750W, 24V, 3000rpm, sep-ex
Drive wheel gear ratio	i	32	26	32
Max vehicle weight	kg	1954	945	1744
Max wheel load	kg	1000	1000	1000
Wheel torque	Nm	86	41	76
Current adsorbed	A	36	30	40
Vehicle speed on flat	m/ min	61	90.5	74
e/m brake torque	Nm	10	10	10
Polyurethan tyre diameter	mm	250	250	250
Steering motor power	W	85	85	85
Steering motor speed	rpm	4000	4000	4000
Steering system ratio	i	442	442	442
Steering speed	°/sec	54	54	54
Weight	kg	50	50	50

AVAILABLE ON REQUEST

- Gear Ratio 19.5:1 – Wheel D.260x80, 260x100 – Rubber tyre (Max load 650kg)
- Other motor windings

NOTE: “Max vehicle weight”, “Wheel torque”, “Current adsorbed” and “Vehicle speed on flat” always refer to the labelled power of the motor.

To have detailed information please contact our technical department.



MR240FRS

