

MR260/300 - Motor D.151mm

PERFORMANCE FEATURES

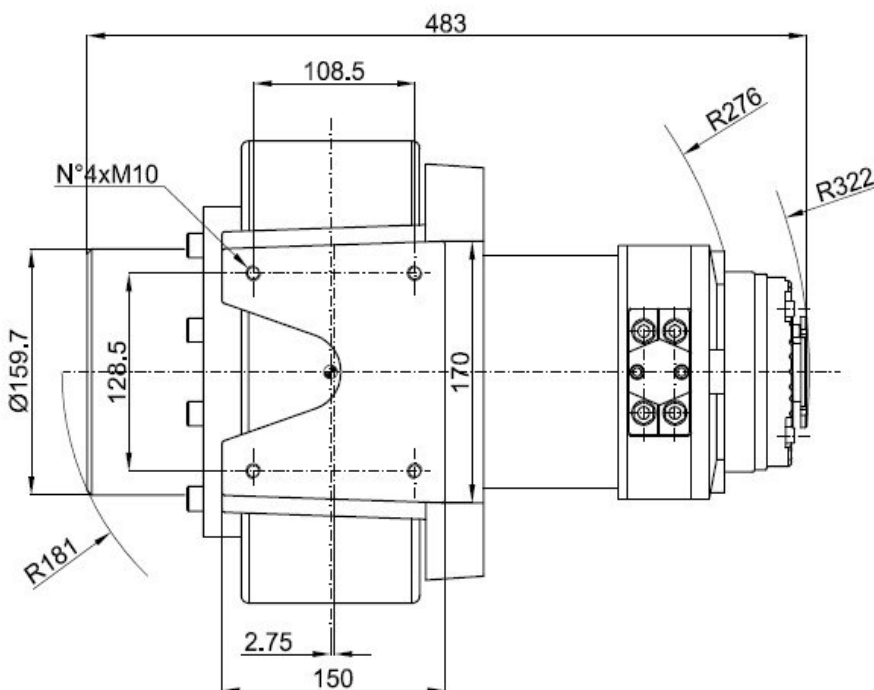
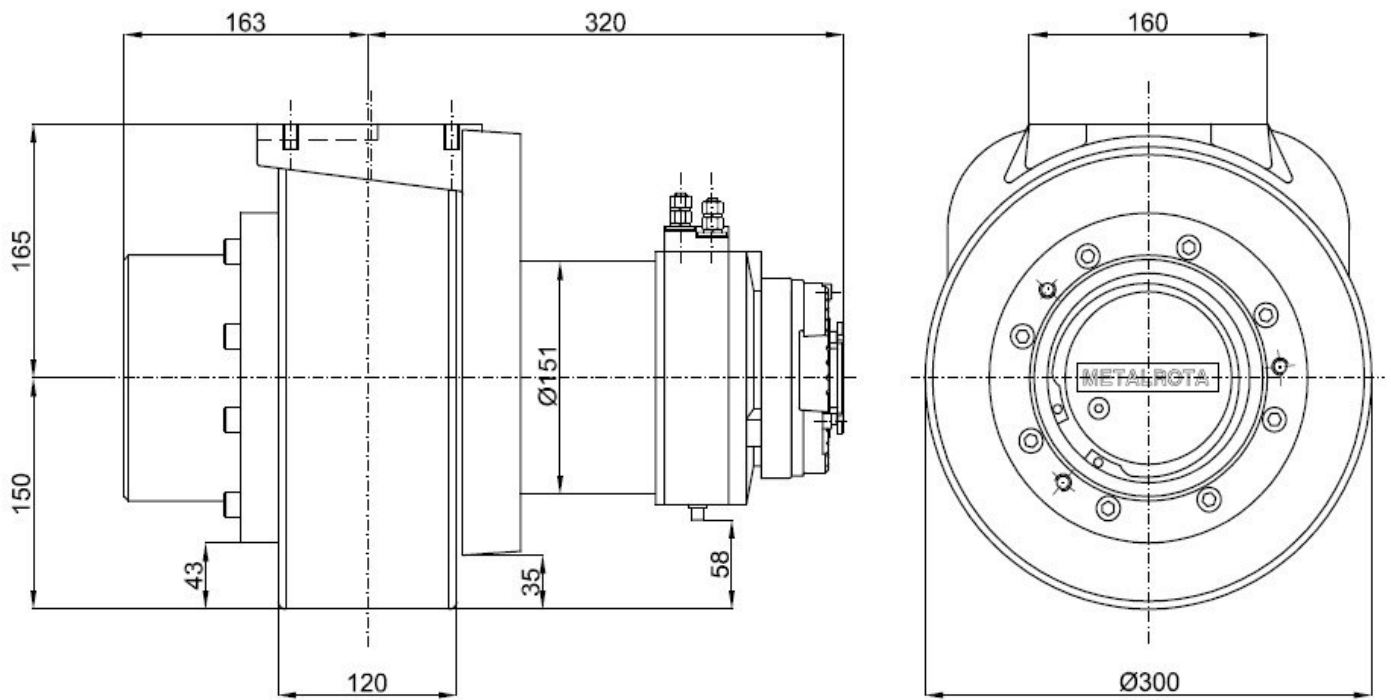
Motor examples (12-48V available)		1200W, 24V, 2400rpm, series wound 4 terminals	1200W, 48V, 3200rpm, separately excited	800W, 24V, 3000rpm, permanent magnets
Drive wheel gear ratio	i	30	32	32
Max vehicle weight	kg	4000	3759	4000
Max wheel load	kg	1500	1500	1500
Wheel torque	Nm	286	198	286
Current adsorbed (S2)	A	55 (60 min)	66 (60 min)	105 (60 min)
Vehicle speed on flat	km/ h	3,7	5,4	3,7
e/m brake torque	Nm	20	20	20
Polyurethan 90SH tyre diameter	mm	300	300	300
Weight	kg	70	70	70

AVAILABLE ON REQUEST

- Polyurethan wheel 70SH (Max wheel load 1000kg)
- Other motor windings

NOTE: “Max vehicle weight”, “Wheel torque”, “Current adsorbed” and “Vehicle speed on flat” always refer to the labelled power of the motor.

To have detailed information please contact our technical department.



MR260/300FM D.151mm