

## MR260/350 - Motor D.151mm

### PERFORMANCE FEATURES

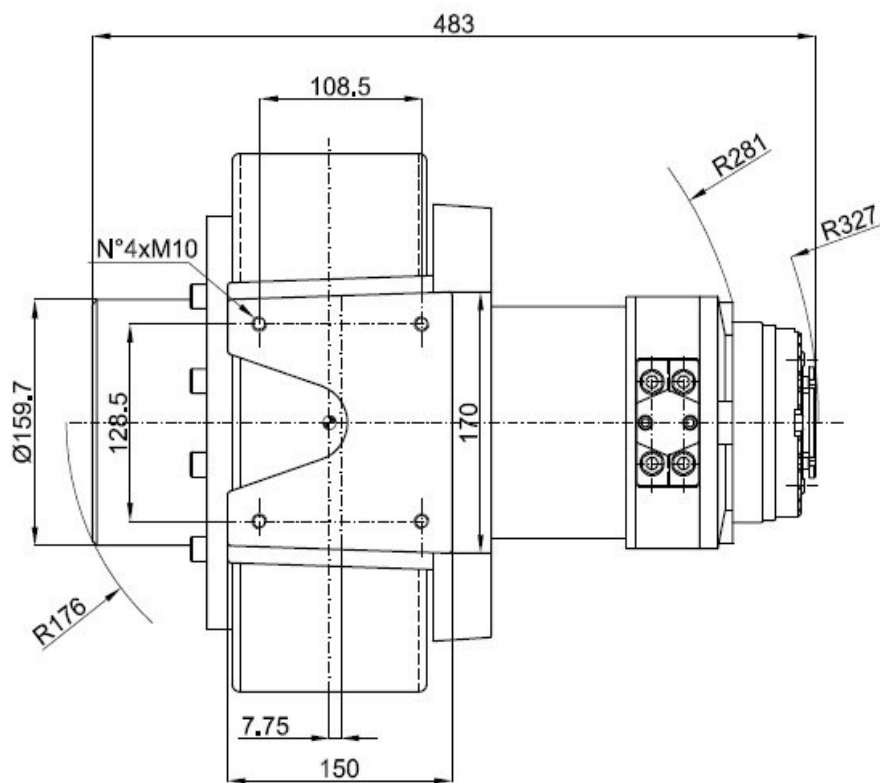
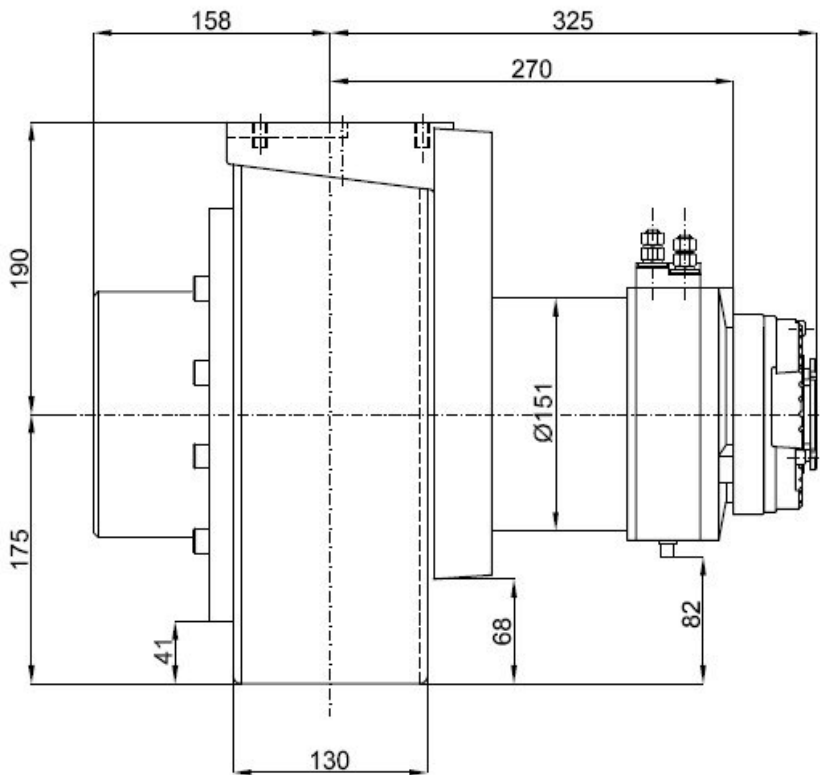
Motor examples (12-48V available)		2000W, 48V, 2000rpm,  series wound 4 terminals	2000W, 36V, 2900rpm,  separately excited	2000W, 24V, 2000rpm,  series wound 4 terminals
Drive wheel gear ratio	i	30	30	30
Max vehicle weight	kg	4000	3222	4000
Max wheel load	kg	2000	2000	2000
Wheel torque	Nm	286	198	286
Current adsorbed (S2)	A	55 (60 min)	66 (60 min)	105 (60 min)
Vehicle speed on flat	km/ h	4,4	6,3	4,4
e/m brake torque	Nm	20	20	20
Polyurethan 90SH tyre diameter	mm	350	350	350
Weight	kg	83	83	83

#### AVAILABLE ON REQUEST

- Polyurethan wheel 70SH (Max wheel load 1400kg)
- Other motor windings

**NOTE:** “Max vehicle weight”, “Wheel torque”, “Current adsorbed” and “Vehicle speed on flat” always refer to the labelled power of the motor.

To have detailed information please contact our technical department.



## MR260/350FM

### D.151mm