

## MR260/350 - Motor D.191mm

### PERFORMANCE FEATURES

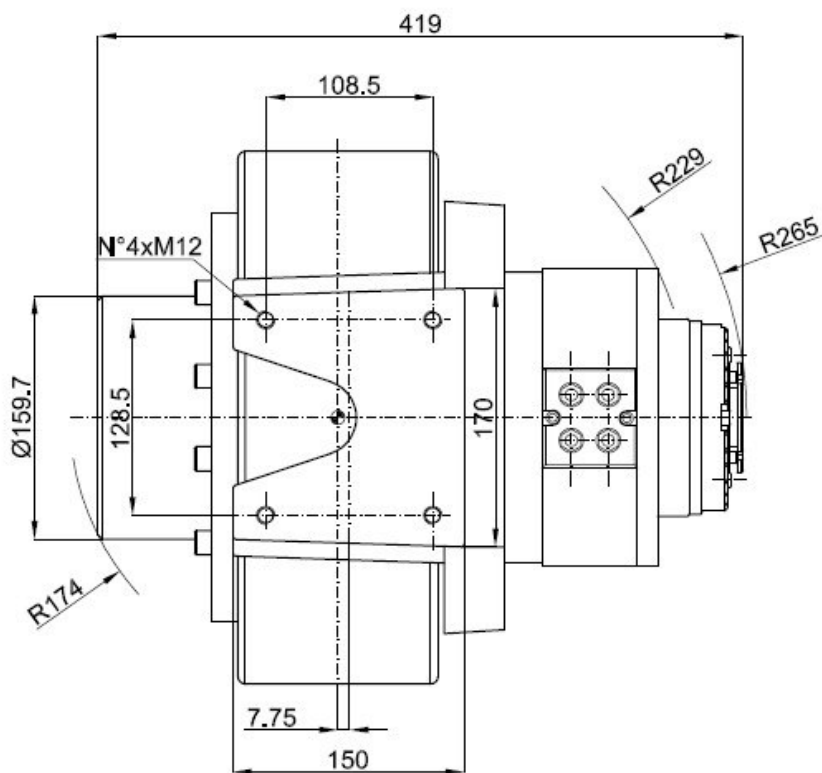
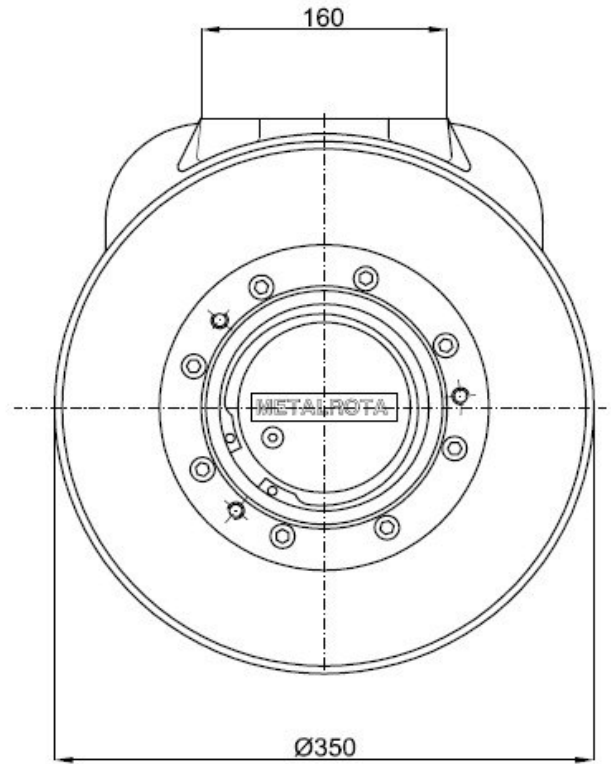
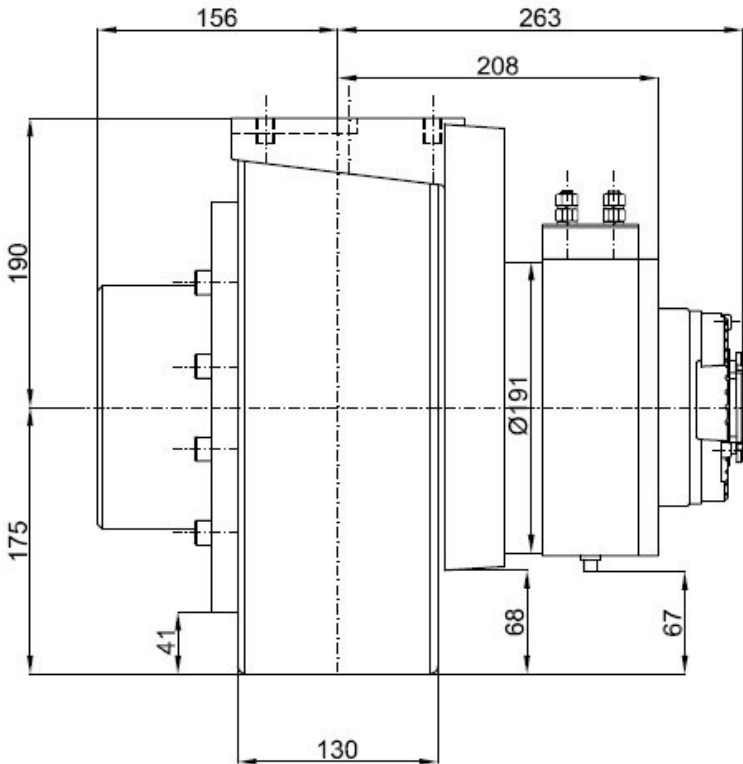
Motor examples (12-48V available)		3000W, 48V, 2000rpm,  separately excited	3500W, 48V, 3000rpm,  separately excited	3000W, 24V, 2000rpm,  series wound 4 terminals
Drive wheel gear ratio	i	30	30	30
Max vehicle weight	kg	5500	5451	5500
Max wheel load	kg	2000	2000	2000
Wheel torque	Nm	430	334	430
Current adsorbed (S2)	A	80 (60 min)	90 (50 min)	160 (60 min)
Vehicle speed on flat	km/ h	4,4	6,6	4,4
e/m brake torque	Nm	40	40	40
Polyurethan 90SH tyre diameter	mm	350	350	350
Weight	kg	123	123	123

#### AVAILABLE ON REQUEST

- Polyurethan wheel 70SH (Max wheel load 1400kg)
- Other motor windings

**NOTE:** “Max vehicle weight”, “Wheel torque”, “Current adsorbed” and “Vehicle speed on flat” always refer to the labelled power of the motor.

To have detailed information please contact our technical department.



## MR260/350FM

### D.191mm