

MR300

PERFORMANCE FEATURES

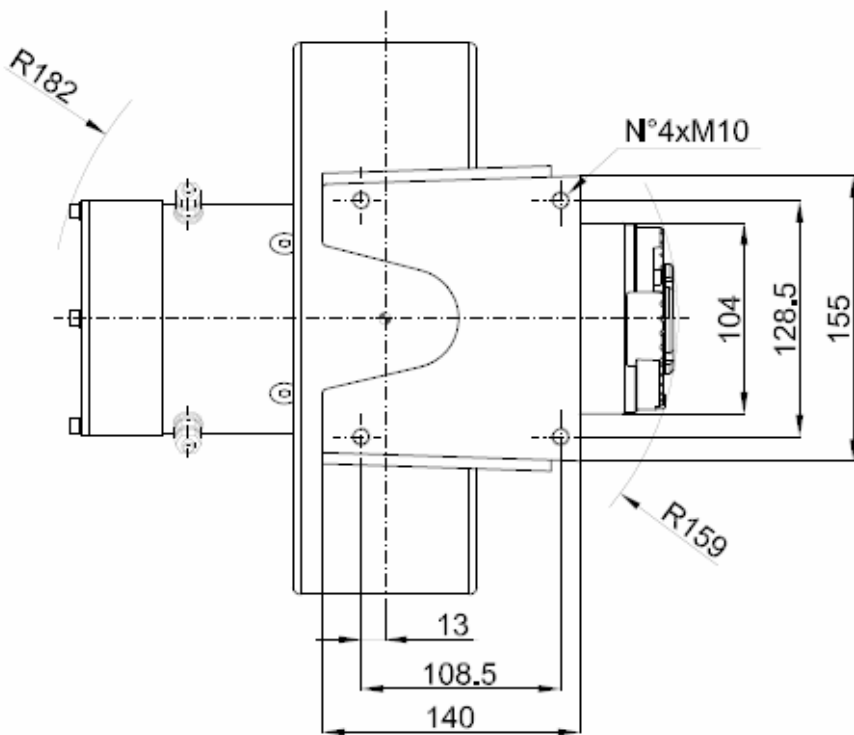
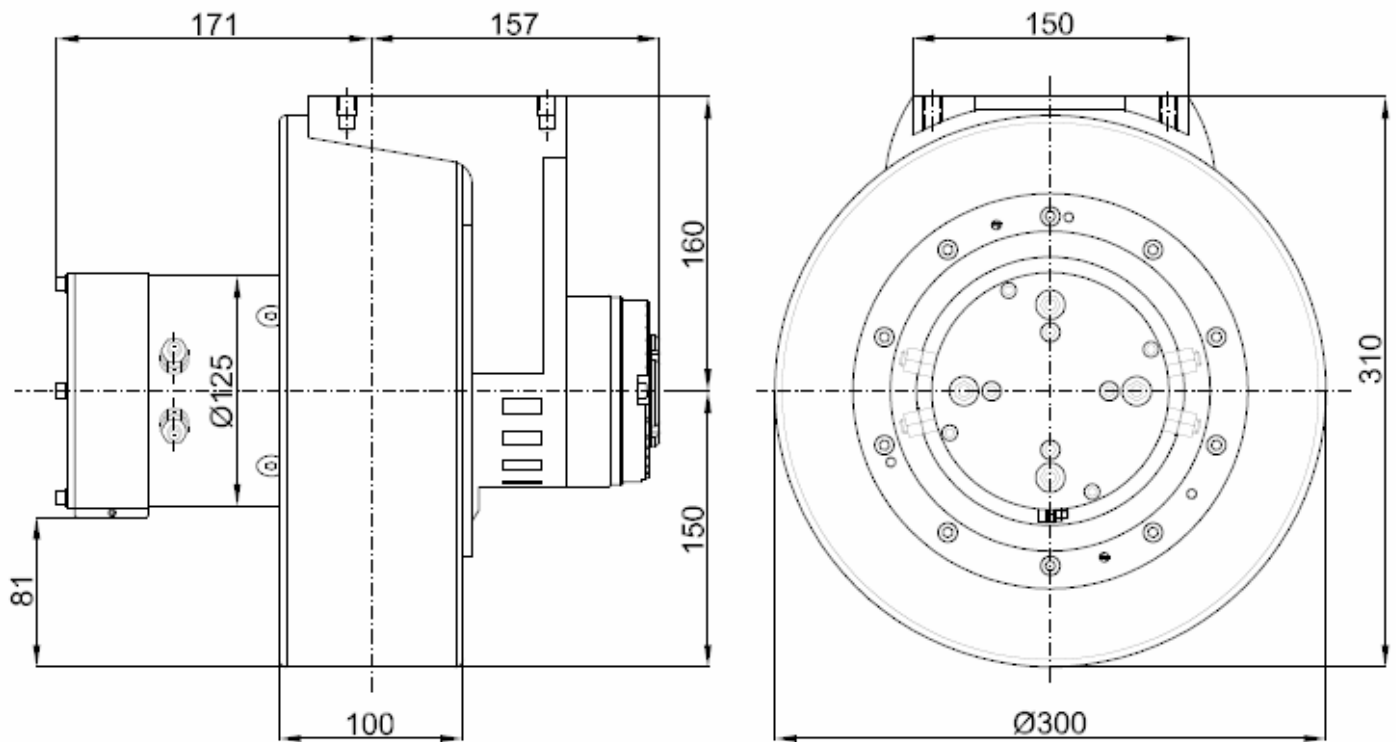
Motor examples (12-48V available)		1200W, 24V, 2400rpm, series wound 4 terminals	1200W, 48V, 3200rpm, separately excited	800W, 24V, 3000rpm, permanent magnets
Drive wheel gear ratio	i	32	32	32
Max vehicle weight	kg	2000	2000	1551
Max wheel load	kg	1350	1350	1350
Wheel torque	Nm	153	115	81
Current adsorbed (S2)	A	62 (30 min)	34 (30 min)	42 (60 min)
Vehicle speed on flat	km/ h	4,2	5,6	5,3
e/m brake torque	Nm	10	10	10
Polyurethan 90SH tyre diameter	mm	300	300	300
Weight	kg	32	32	32

AVAILABLE ON REQUEST

- Gear Ratio 19,5:1, 26:1
- rubber wheel D.300x100.....(Max wheel load 750kg)
- polyurethan wheel 75SH D.300x100.....(Max wheel load 900kg)
- Other motor windings

NOTE: “Max vehicle weight”, “Wheel torque”, “Current adsorbed” and “Vehicle speed on flat” always refer to the labelled power of the motor.

To have detailed information please contact our technical department.



MR300FR