

MR350

PERFORMANCE FEATURES

Motor examples (24-80V available)		3000W, 48V, 2000rpm, separately excited	3500W, 48V, 3000rpm, separately excited	3000W, 24V, 2000rpm, series wound 4 terminals
Drive wheel gear ratio	i	30	30	30
Max vehicle weight	kg	6000	5451	6000
Max wheel load	kg	2600	2600	2600
Wheel torque	Nm	430	334	430
Current adsorbed (S2)	A	80 (60 min)	90 (50 min)	160 (60 min)
Vehicle speed on flat	km/ h	4,4	6,6	4,4
e/m brake torque	Nm	40	40	40
Polyurethan 90SH tyre diameter	mm	350	350	350
Weight	kg	120	120	120

AVAILABLE ON REQUEST

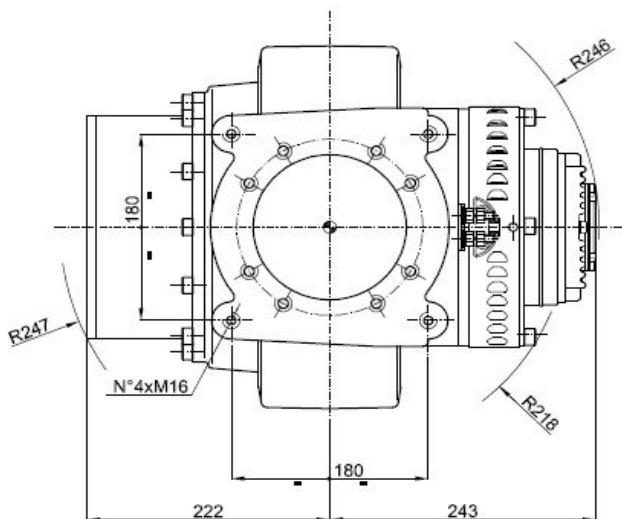
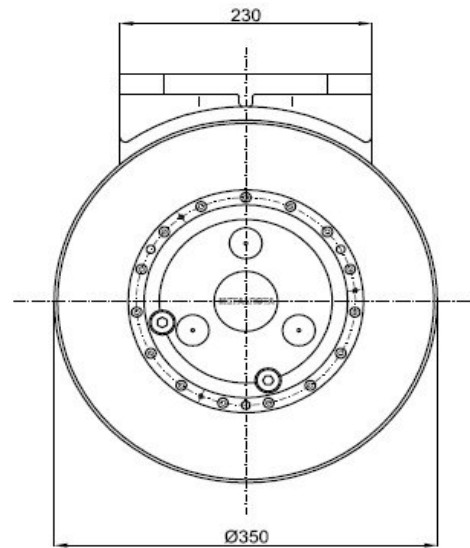
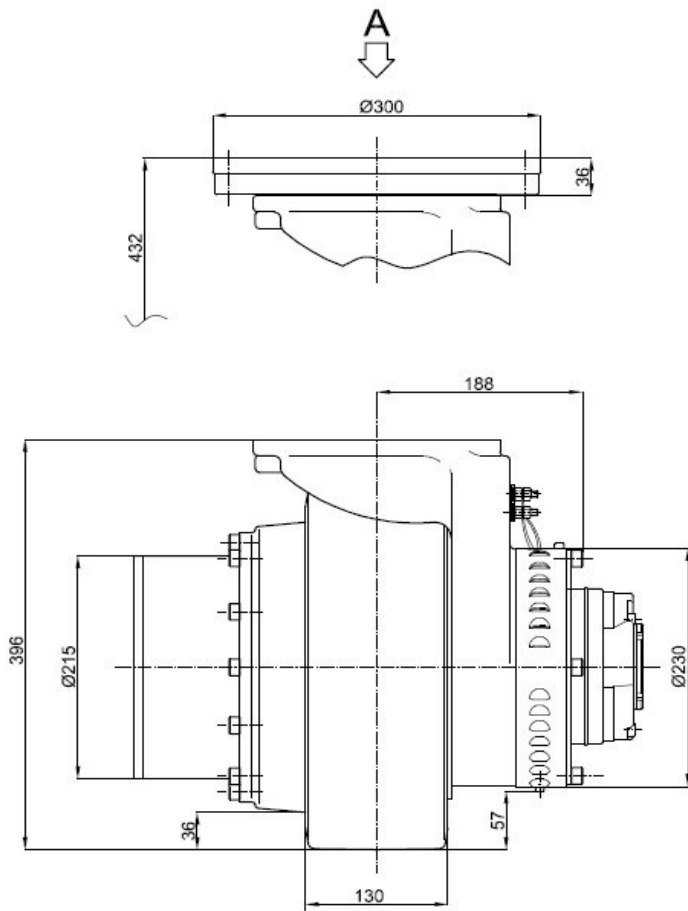
- Gear Ratio 22:1
- Other motor windings

NOTE: "Max vehicle weight", "Wheel torque", "Current adsorbed" and "Vehicle speed on flat" always refer to the labelled power of the motor.

To have detailed information please contact our technical department.

MR350FM

- Ralla di rotazione a richiesta
- Slewing bearing on request



VISTA DA A A VIEW

