

WR191

PERFORMANCE FEATURES

Motor examples (24-80V available)		3000W, 24V, 2000rpm, series wound 4 terminals	3500W, 48V, 3000rpm, separately excited	3000W, 24V, 2900rpm, series wound 4 terminals
Drive wheel gear ratio	i	25	25	25
Max vehicle weight	kg	5000	5000	5000
Max wheel load	kg	1800	1800	1800
Wheel torque	Nm	358	279	247
Current adsorbed (S2)	A	150 (60 min)	90 (50 min)	165 (60 min)
Vehicle speed on flat	km/h	3,9	5,8	5,6
e/m brake torque	Nm	40	40	40
Vulkollan tyre diameter	mm	260	260	260
Weight	kg	95	95	95

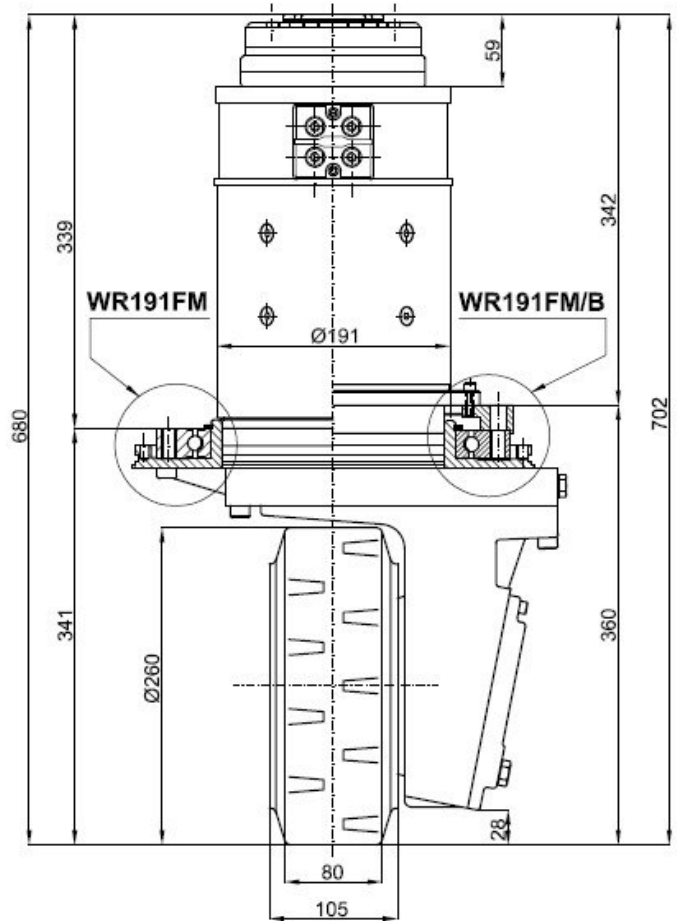
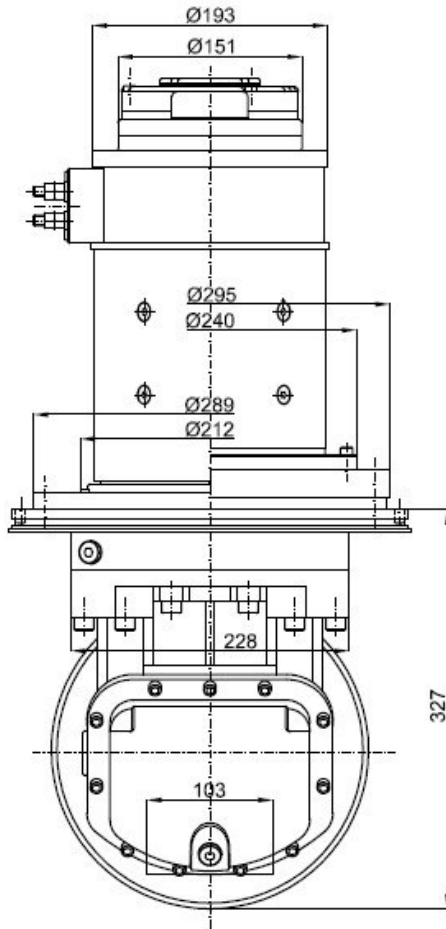
AVAILABLE ON REQUEST

- Gear Ratio 21:1, 18:1, 14:1, 9:1
- Rubber wheel (Max wheel load 850kg)
- Other motor windings

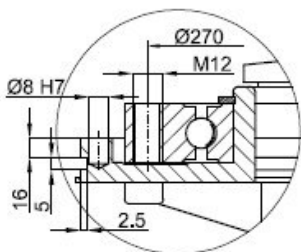
NOTE:

- 1) Version "WR191FM" with pivoting motor, Version "WR191FM/B" with fixed motor.
- 2) "Max vehicle weight", "Wheel torque", "Current adsorbed" and "Vehicle speed on flat" always refer to the labelled power of the motor.

To have detailed information please contact our technical department.



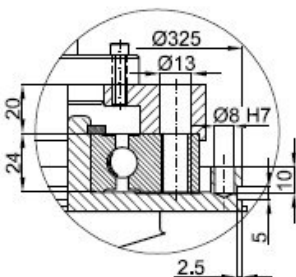
WR191FM



- Motore solidale al riduttore

- D.C. motor integral with the gear box

WR191FM/B



- Motore solidale alla ralla di rotazione

- D.C. motor integral with the slewing bearing

