

## WR350S 191mm

### PERFORMANCE FEATURES

Technical Data		A.C. Motor D.C. Motor
Power	W	3000 ÷ 5000
Voltage	V	24 ÷ 96
Gear Ratio	i	21:1 - 25:1
Steering System Ratio	i	282
Wheel	mm	350x140
Max Wheel Torque	Nm	2200
Max Wheel Load	kg	- - 3000
		rubber polyurethan vulkollan
Break Torque	Nm	40
Weight	kg	187

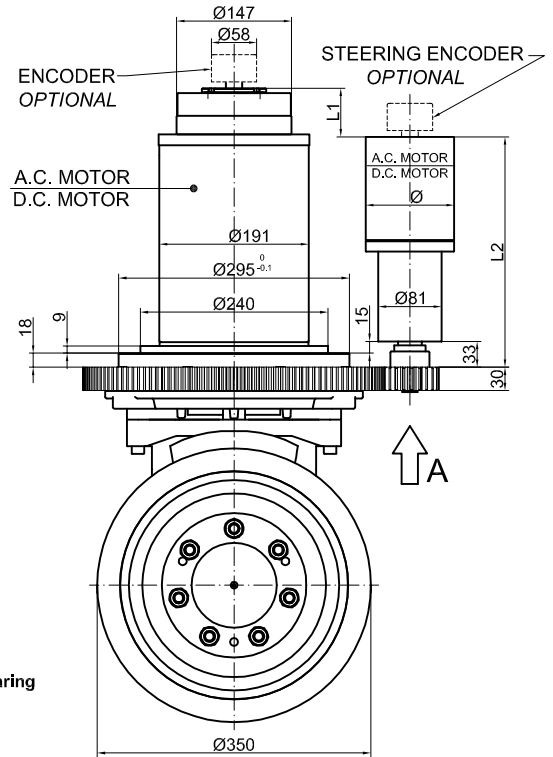
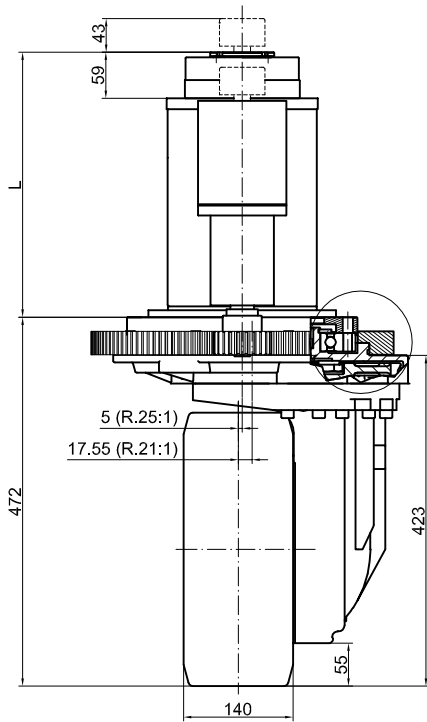
#### AVAILABLE ON REQUEST

- Other motor windings

**NOTE:** "Max vehicle weight", "Wheel torque", "Current adsorbed" and "Vehicle speed on flat" always refer to the labelled power of the motor.

To have detailed information please contact our technical department.

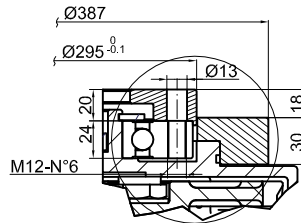
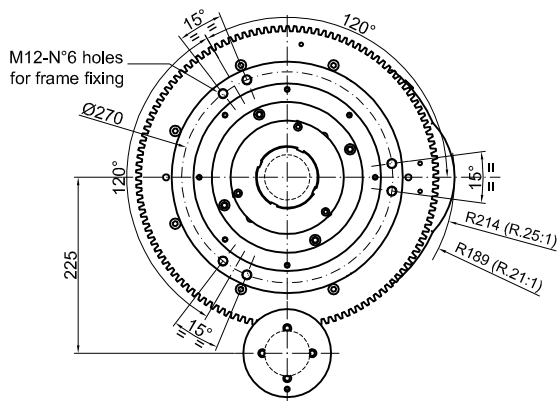
## WR350S Motor Ø191mm



### WR350FMS/B Motor Ø191

	A.C. MOTOR	D.C. MOTOR
L	329	339
L1	17	62
L2	330	295
Ø	126	113

- Motor integral with the slewing bearing
- Motore solidale alla ralla di rotazione



### view from A (without plnlon)

