

WR425 – Motor D.191mm

PERFORMANCE FEATURES

Motor examples (24-80V available)		3000W, 24V, 2000rpm, series wound 4 terminals	3500W, 48V, 3000rpm, separately excited	3000W, 24V, 2900rpm, series wound 4 terminals
Drive wheel gear ratio	i	25	25	25
Max vehicle weight	kg	5035	3916	3472
Max wheel load	kg	3100	3100	3100
Wheel torque	Nm	358	279	247
Current adsorbed (S2)	A	150 (60 min)	90 (50 min)	165 (60 min)
Vehicle speed on flat	km/h	6,1	9,1	8,8
e/m brake torque	Nm	40	40	40
Vulkollan tyre diameter	mm	406	406	406
Weight	kg	160	160	160

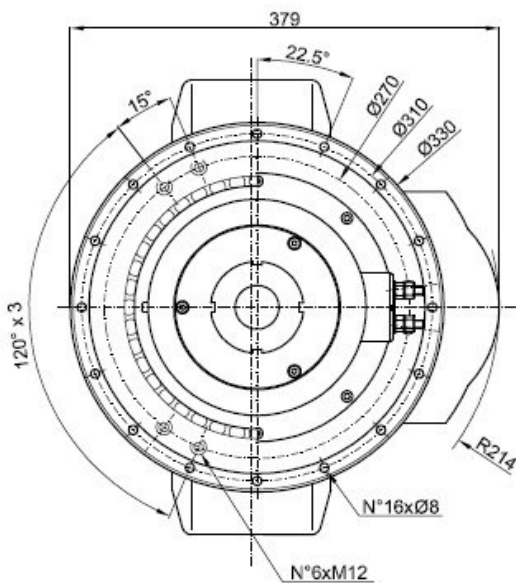
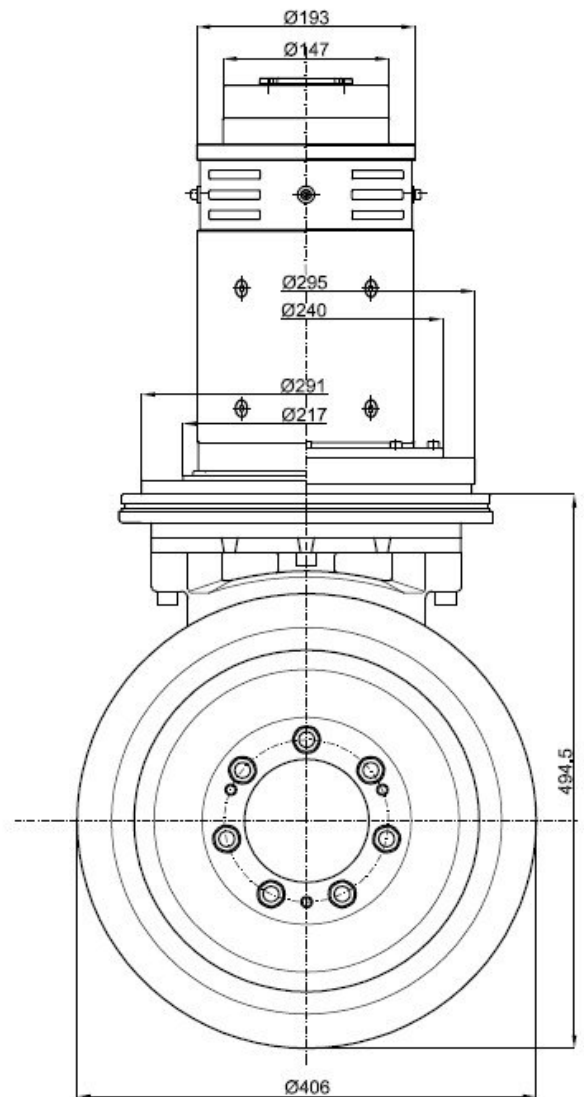
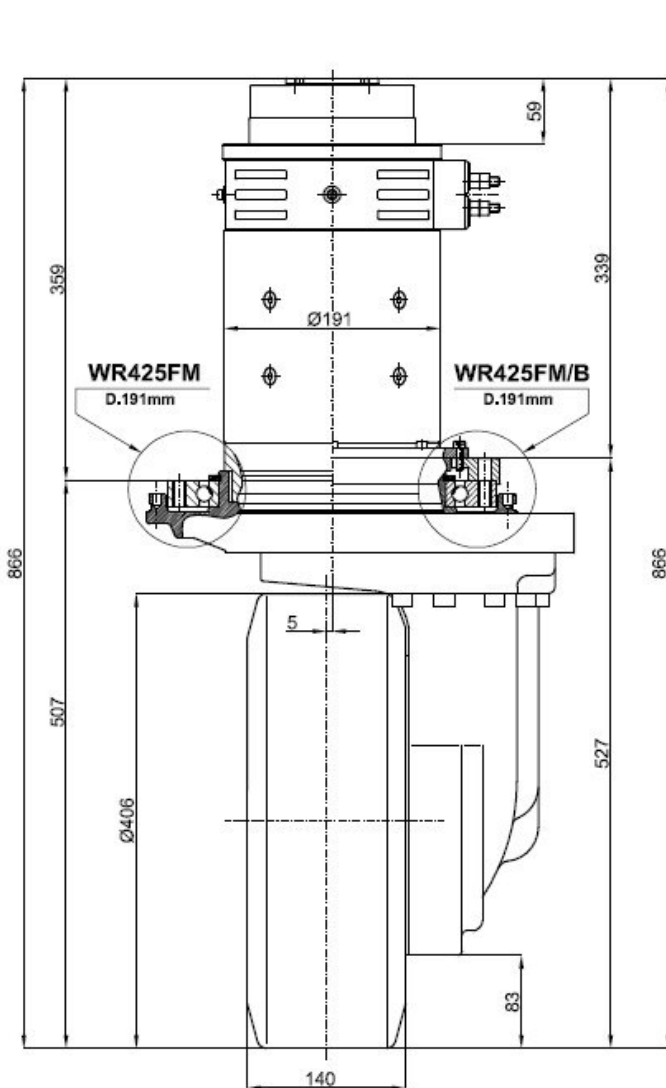
AVAILABLE ON REQUEST

- Gear Ratio 21:1
- Other motor windings

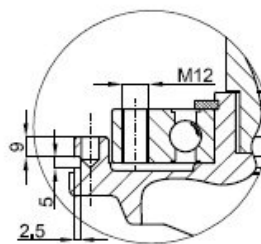
NOTE:

- 1) Version “WR425FM-D.191mm” with pivoting motor,
Version “WR425FM/B-D.191mm” with fixed motor.
- 2) “Max vehicle weight”, “Wheel torque”, “Current adsorbed” and
“Vehicle speed on flat” always refer to the labelled power of the motor.

To have detailed information please contact our technical department.

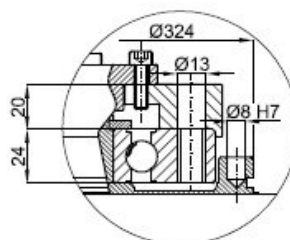


WR425FM-D.191mm



- Motore solidale al riduttore
- D.C. motor Integral with the gear box

WR425FM-D.191mm



- Motore solidale alla ralla di rotazione
- D.C. motor Integral with the slewing bearing