

WR425S 244mm

PERFORMANCE FEATURES

Technical Data		A.C. Motor D.C. Motor
Power	W	5000 ÷ 7000
Voltage	V	24 ÷ 96
Gear Ratio	i	21:1 - 25:1
Steering System Ratio	i	282
Wheel	mm	406x130
Max Wheel Torque	Nm	2200
Max Wheel Load	kg	- - 3100
		rubber polyurethan vulkollan
Break Torque	Nm	75
Weight	kg	255

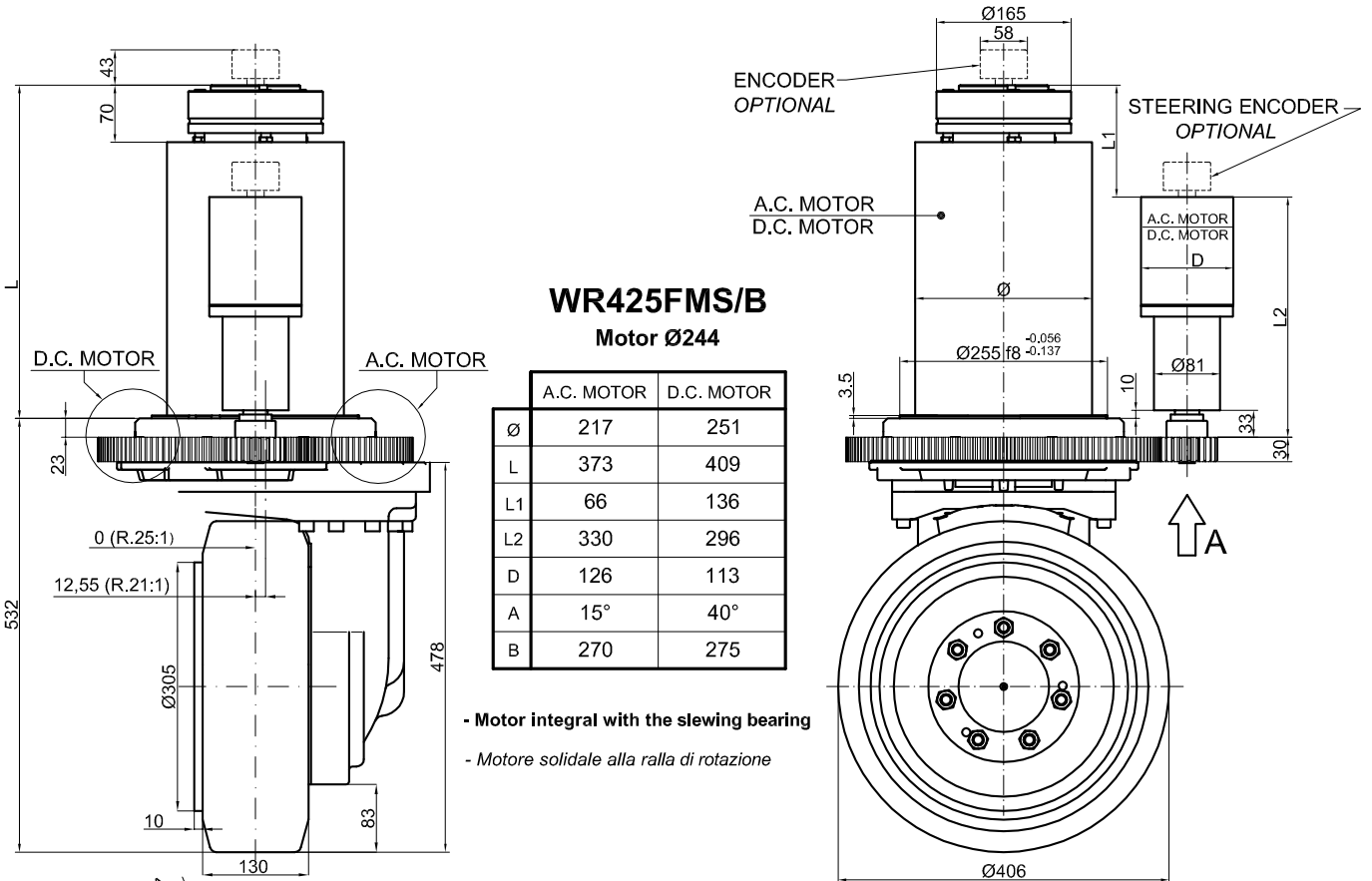
AVAILABLE ON REQUEST

- Other motor windings

NOTE: "Max vehicle weight", "Wheel torque", "Current adsorbed" and "Vehicle speed on flat" always refer to the labelled power of the motor.

To have detailed information please contact our technical department.

WR425S Motor Ø244mm



WR425FMS/B Motor Ø244

	A.C. MOTOR	D.C. MOTOR
Ø	217	251
L	373	409
L1	66	136
L2	330	296
D	126	113
A	15°	40°
B	270	275

- Motor integral with the slewing bearing
- Motore solidale alla ralla di rotazione

