

WRC300S

PERFORMANCE FEATURES

Technical Data		A.C. Motor D.C. Motor
Power	W	3000 ÷ 5000
Voltage	V	24 ÷ 96
Gear Ratio	i	18:1
Steering System Ratio	i	261
Wheel	mm	305x135
Max Wheel Torque	Nm	900
Max Wheel Load	kg	- - 3000
		rubber polyurethan vulkollan
Break Torque	Nm	40
Weight	kg	130

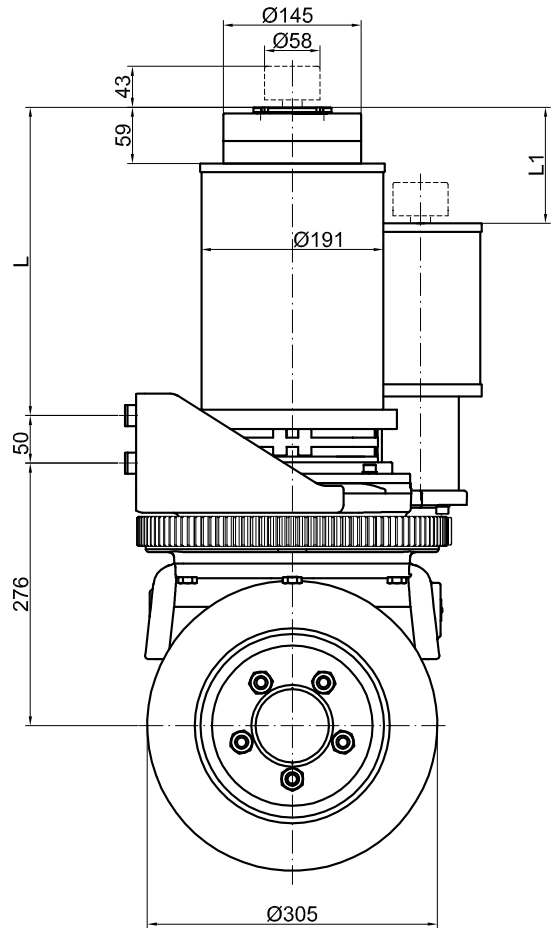
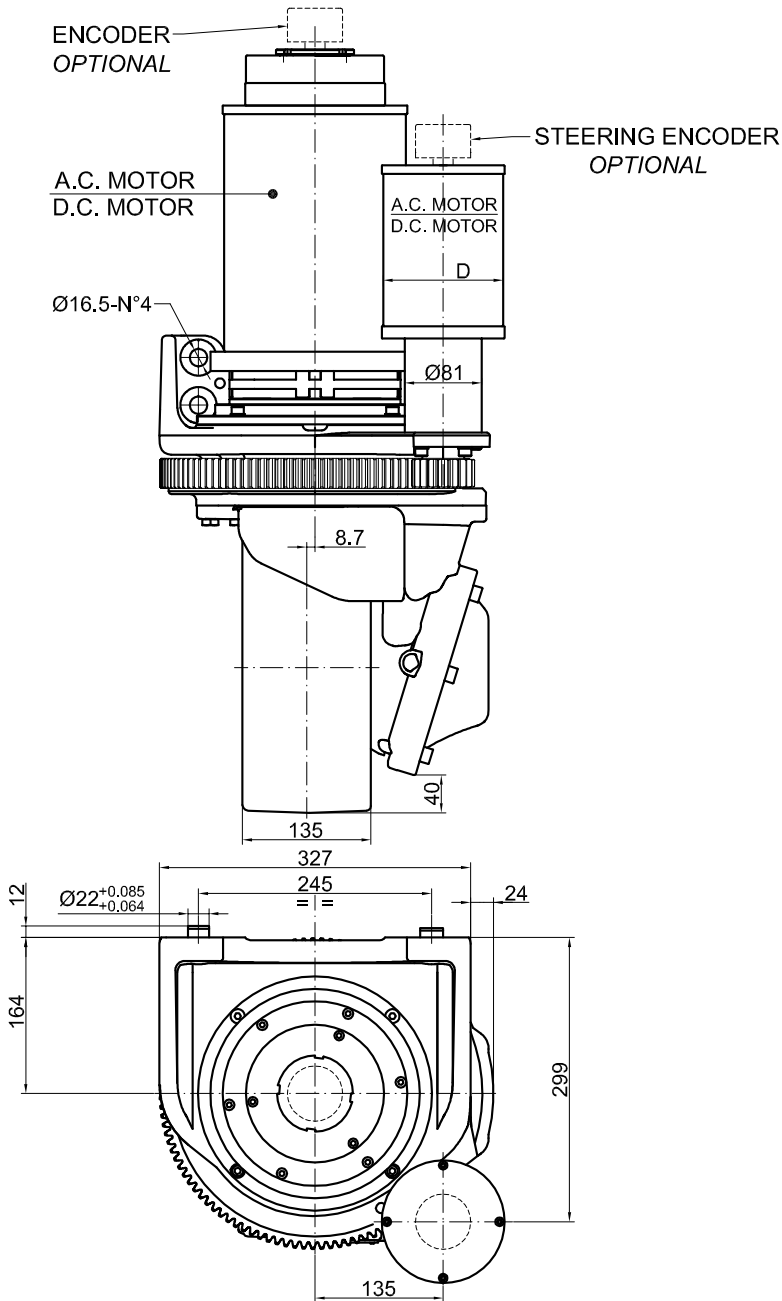
AVAILABLE ON REQUEST

- Other motor windings

NOTE: "Max vehicle weight", "Wheel torque", "Current adsorbed" and "Vehicle speed on flat" always refer to the labelled power of the motor.

To have detailed information please contact our technical department.

WRC300S



WRC300FMS Motor Ø191

	A.C. MOTOR	D.C. MOTOR
L	324	337
L1	122	179
D	126	113