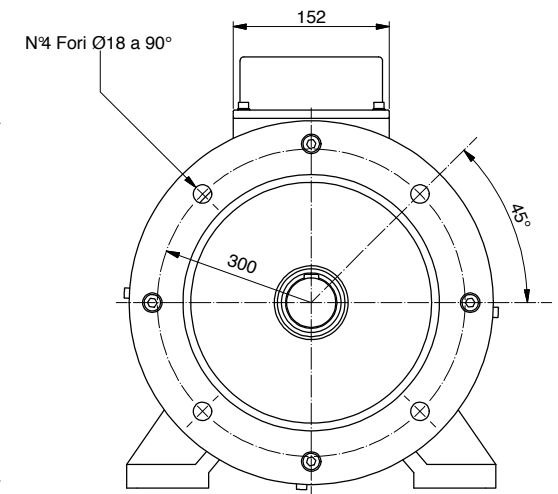
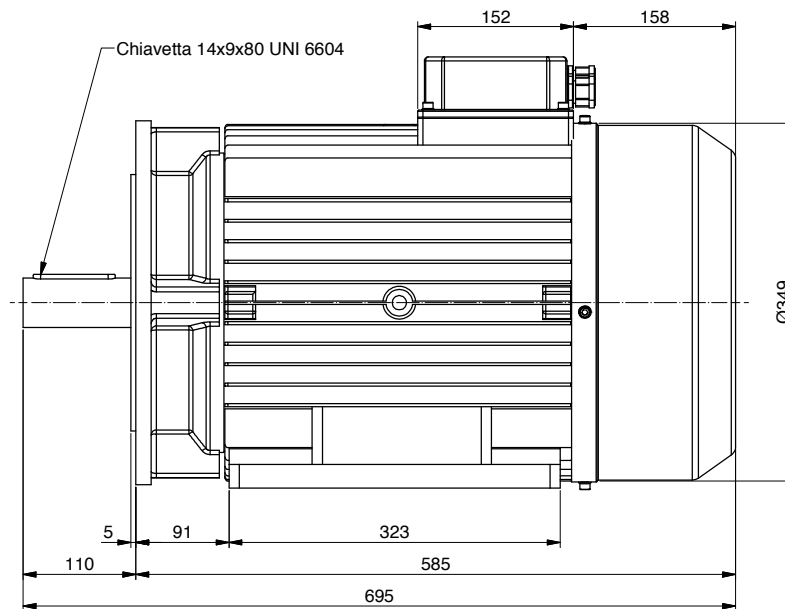
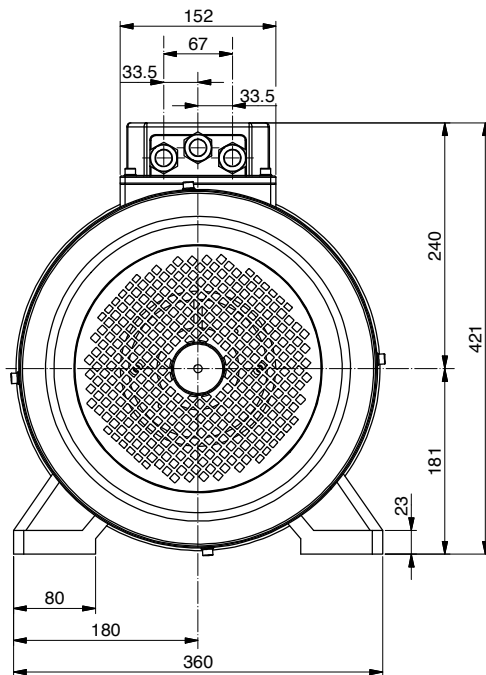
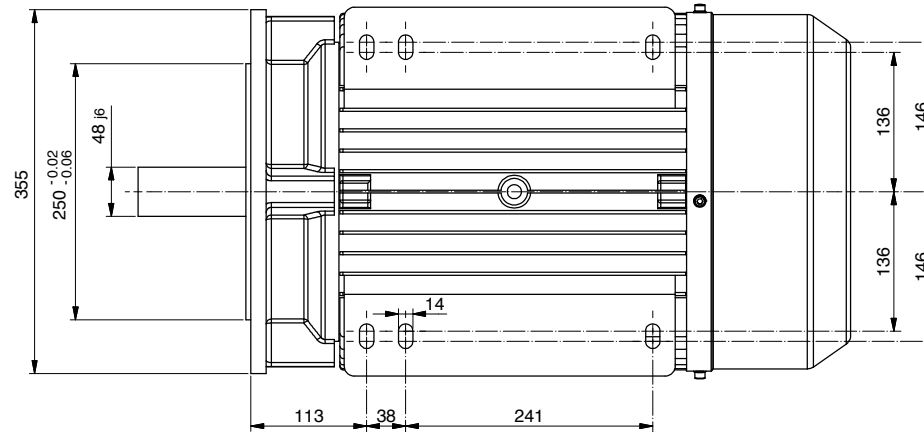


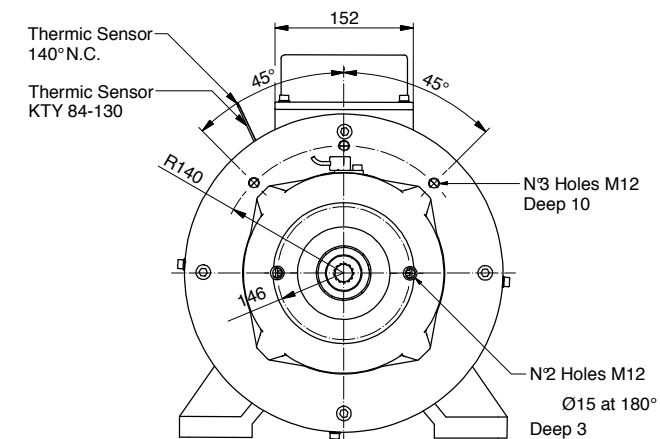
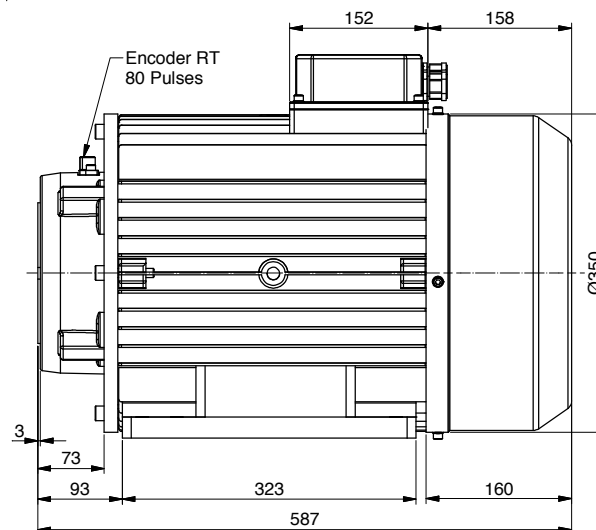
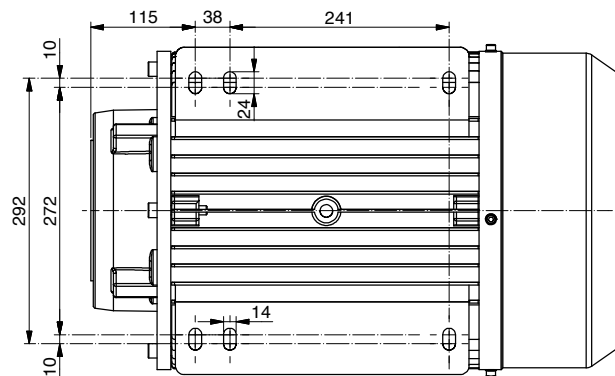
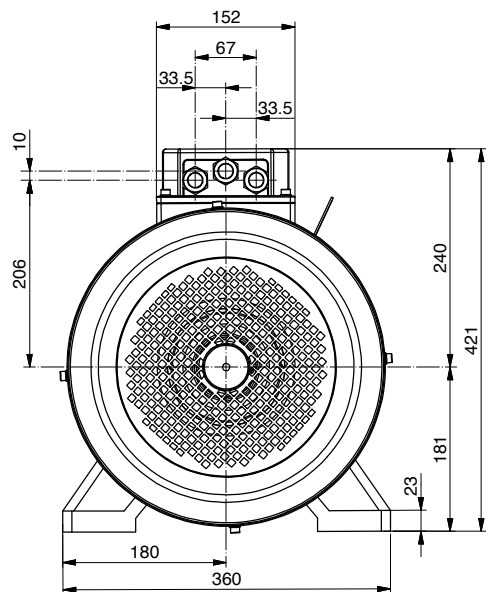
AL270 M

Power	20000 W
Tension	96 V
Speed	1450 Rpm
Torque	131.7 Nm
Enclosure	IP65



AL270 M

Power	31000 W
Tension	96 V
Speed	2400 Rpm
Torque	123.4 Nm
Enclosure	IP20



Spined Shaft 16/32 DP
z.13 - Useful 30 mm
Heat treatment
Induction hardening
HRC 60

