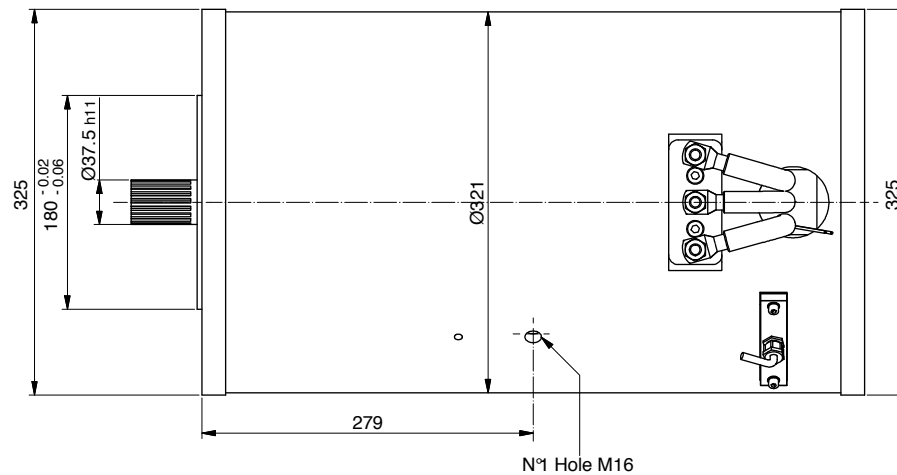
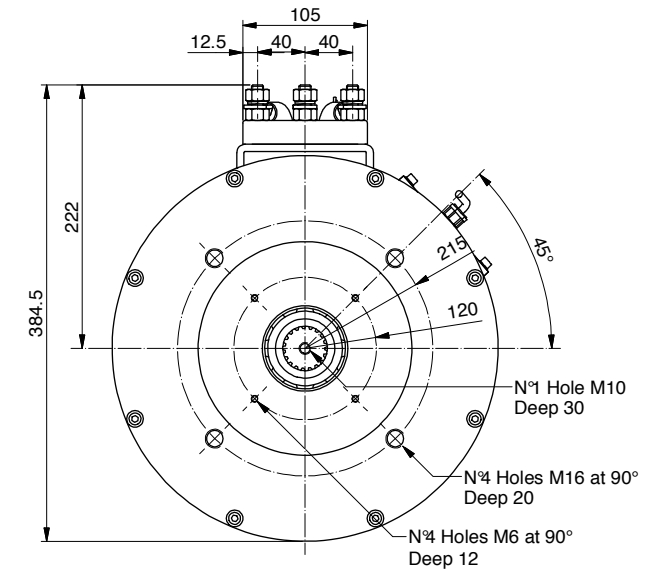
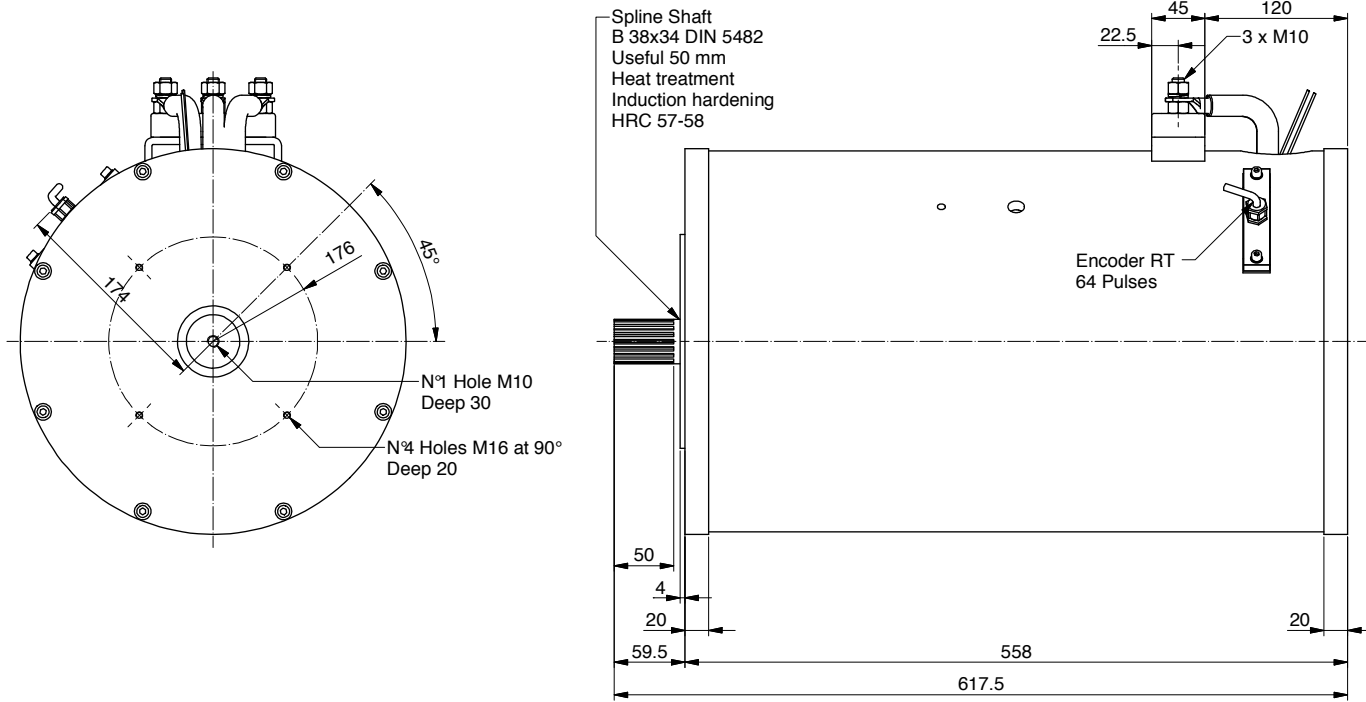


# AL300 M



Power	30000 W
Tension	80 V
Speed	1650 Rpm
Torque	174 Nm
Enclosure	IP44