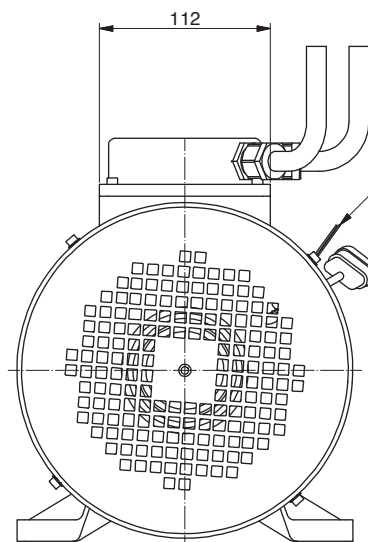
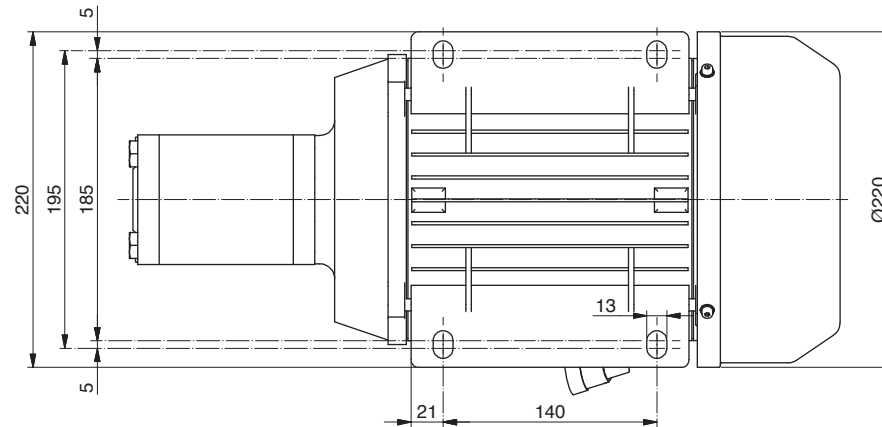


ALP173.P0004

Power	6000 W
Tension	48 V
Speed	2990 Rpm
Torque	19.2 Nm
Enclosure	IP 44



Thermal Sensor
KTY84-130

Encoder
64 Pulses
BMB-6206/064S2/
EA002A

