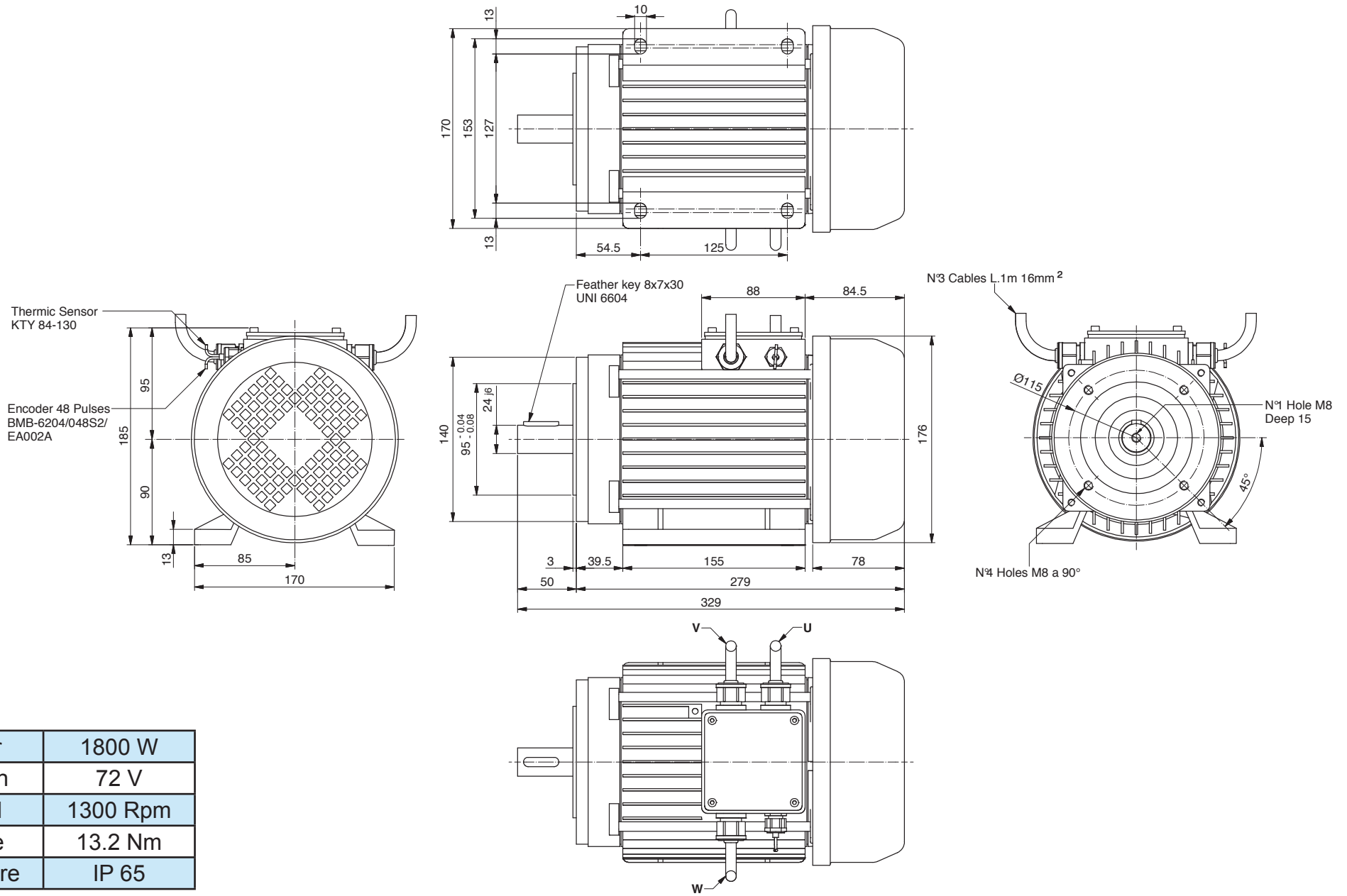


# AL135.P0083



Power	1800 W
Tension	72 V
Speed	1300 Rpm
Torque	13.2 Nm
Enclosure	IP 65