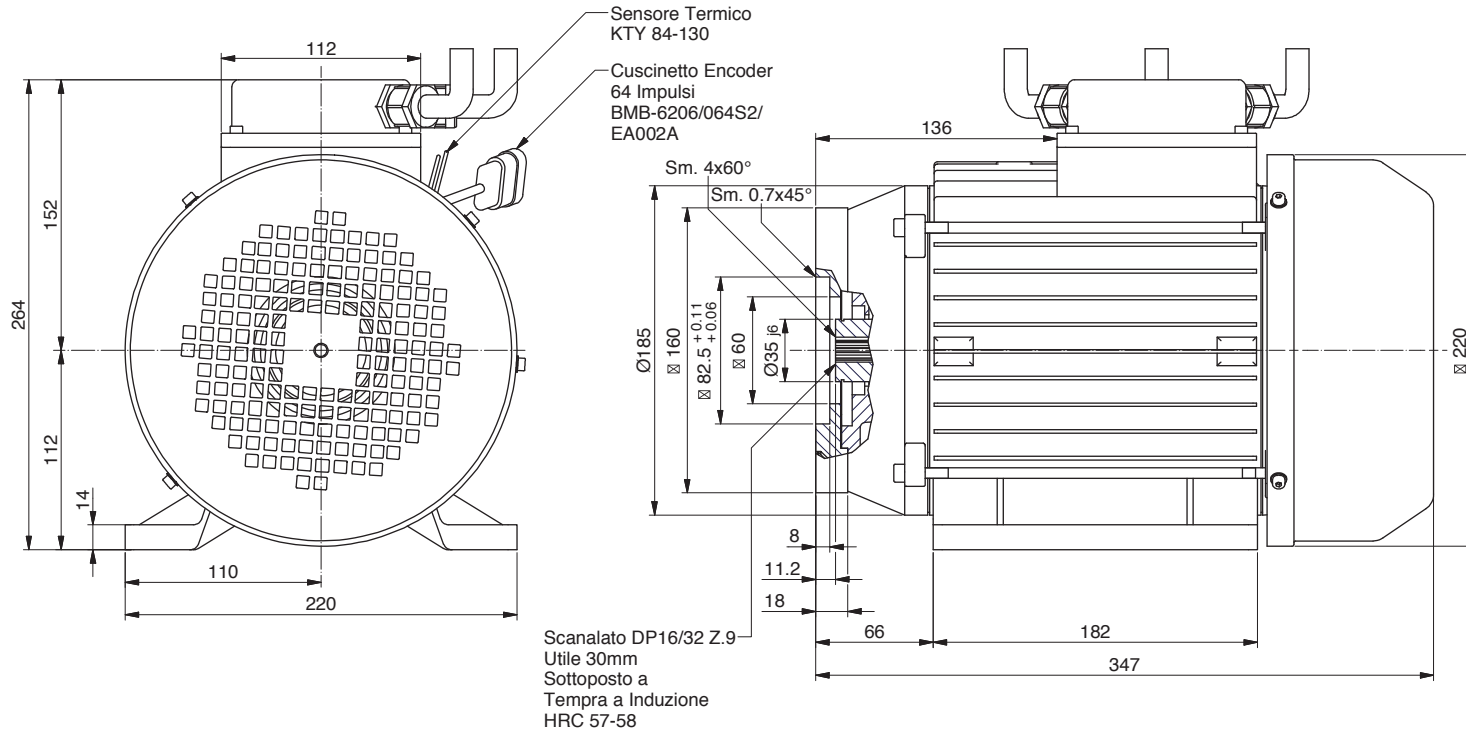
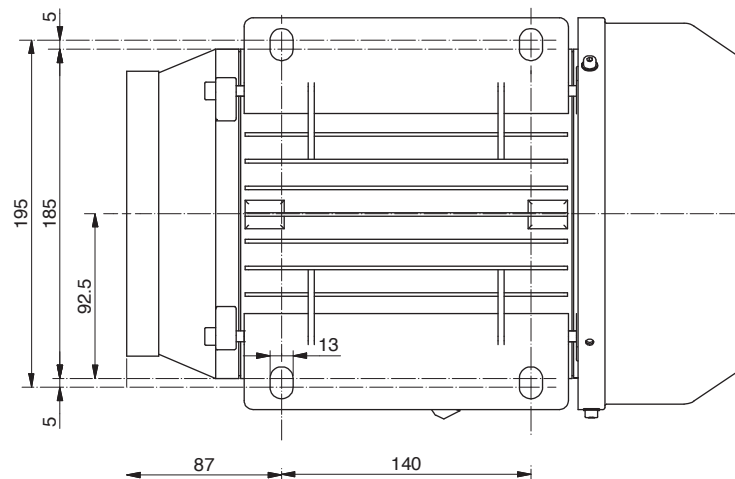
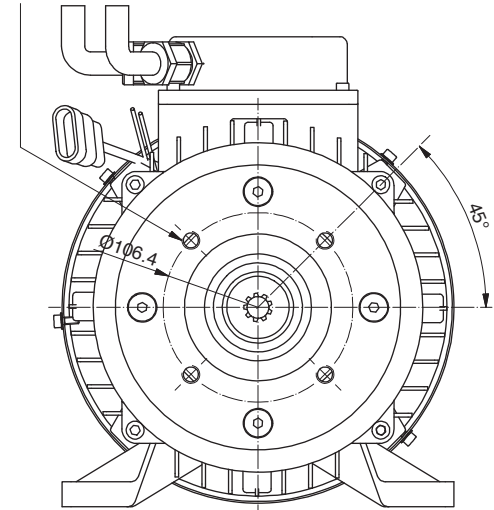


AL173.P0028



N $\frac{1}{4}$ Fori 3/8 -24UNF-2B a 90°
Utile 20



Power	3000 W
Tension	80 V
Speed	2850 Rpm
Torque	10 Nm
Enclosure	IP 44