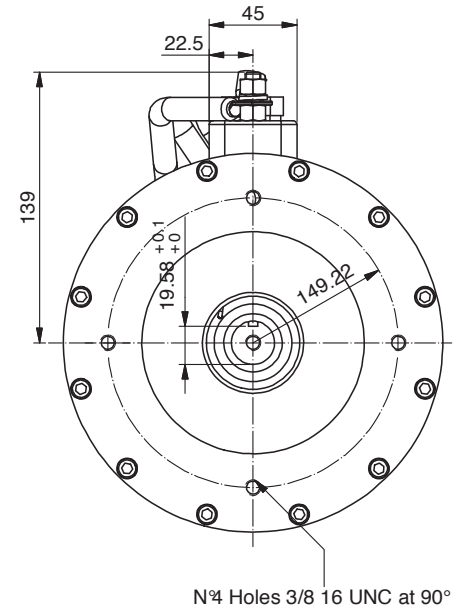
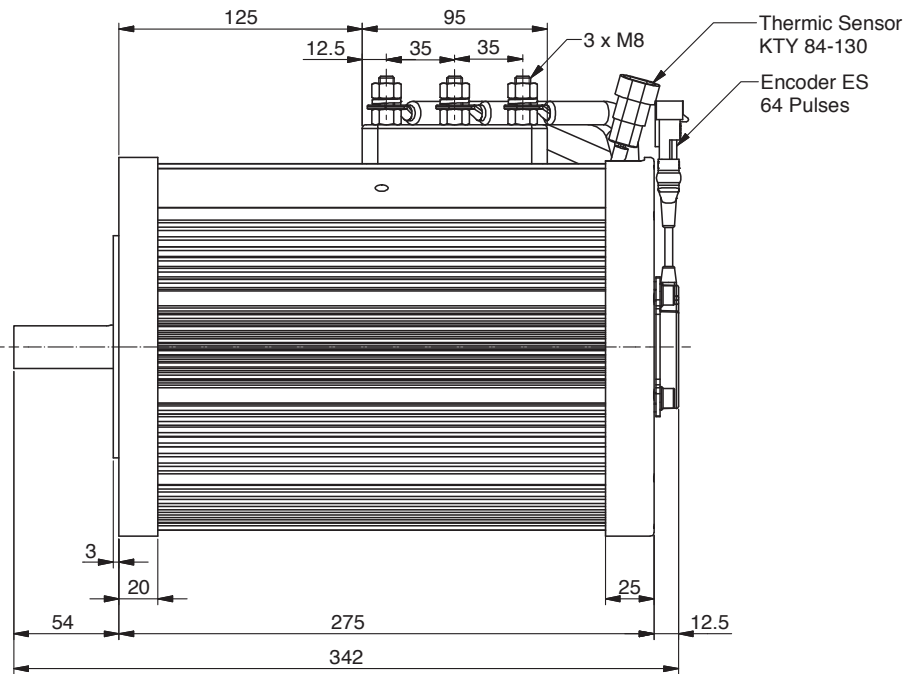
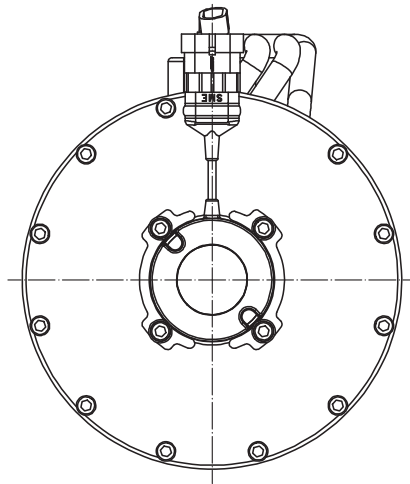


AL173.P0002



Power	4000 W
Tension	48 V
Speed	2850 Rpm
Torque	13.4 Nm
Enclosure	IP 20

