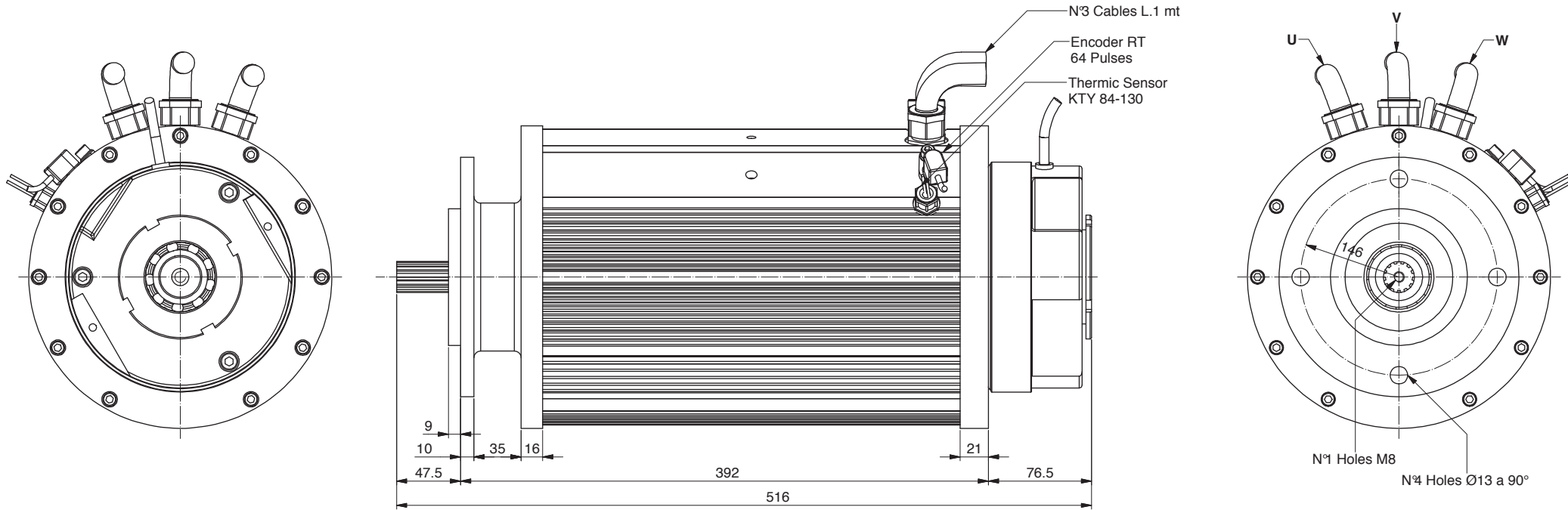
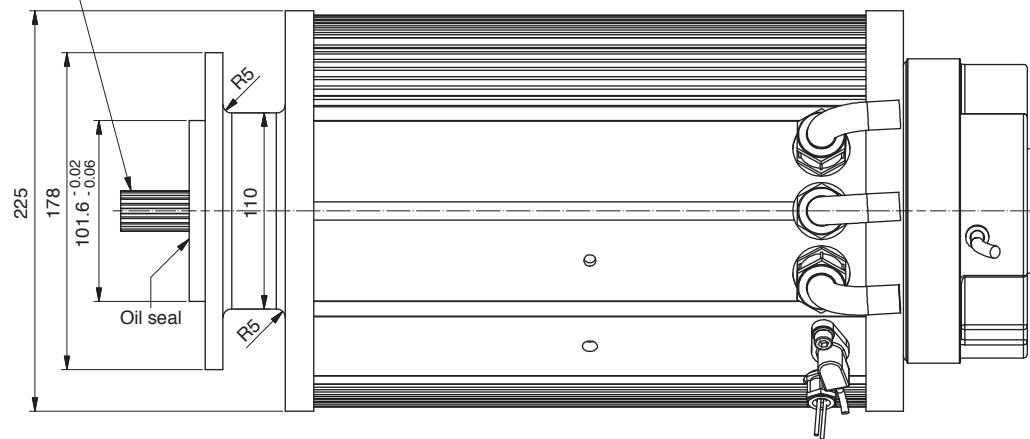


# ALE200.P0012



Splined Shaft 16/32 DP  
13T - Useful 40 mm  
Heat treatment  
Induction hardening  
HRC 60



|           |          |
|-----------|----------|
| Power     | 4000 W   |
| Tension   | 80 V     |
| Speed     | 4000 Rpm |
| Torque    | 9.6 Nm   |
| Enclosure | IP 65    |