

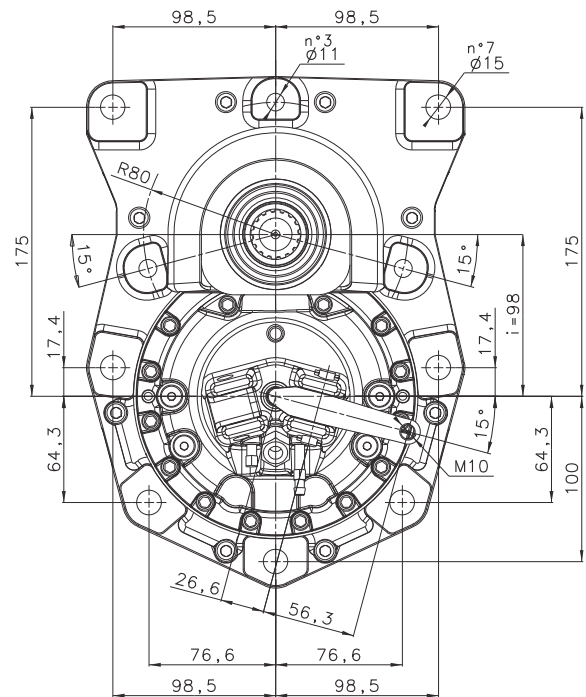
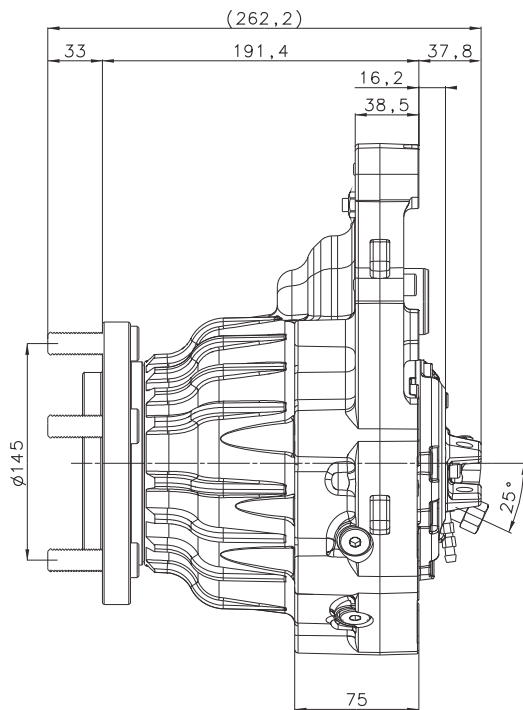
DDS 601 - Dual Drive System

- Electronic differential
- Electronic differential lock
- Power range 3-5 Kw
- Voltage 80V
- Torque range max 1300 Nm
- Many gear ratios available
- Service brake and parking brake



The AC-M2 Controller is designed for lift trucks and electrical vehicles using dual AC motors up to 26Kw. Based on high reliable DCB technology and stable ITC Control Algorithm, AC-M2 Controller ensures the best performances without use of mechanical differential.

The AC-M2 can be connected via CAN bus to other AC controllers for 3-4 AC motors applications.



drawing shows positive parking brake lever

Gearbox data

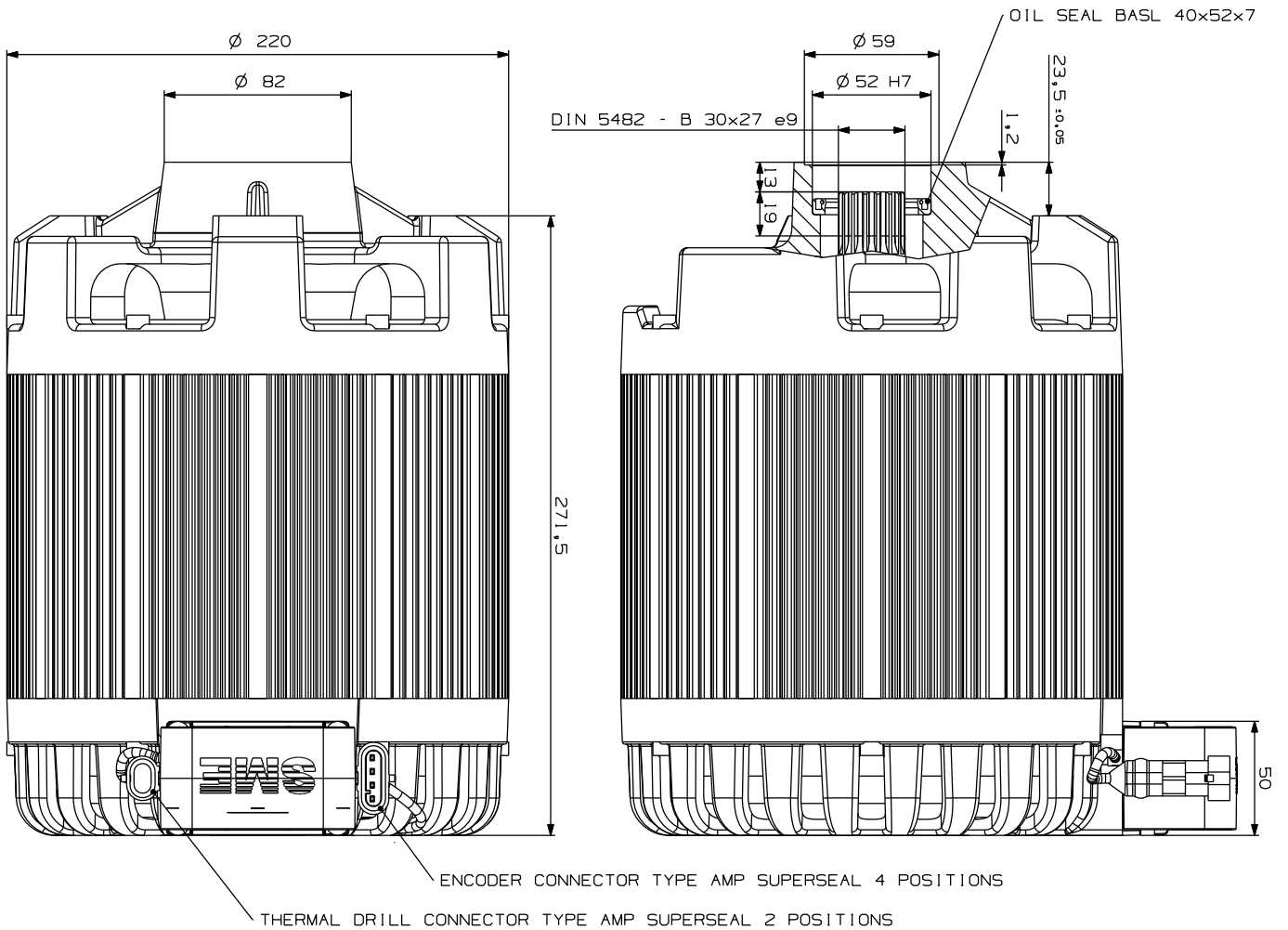
Max output torque	$T_{2_{max}}$ [Nm]	1.300		
Max wheel load	$F_{r_{max}}$ [dN]	2.800		
Electric motor power	P_{el} [kW]	5,0		
Max input speed	n_{max} [rpm]	5.000		
Reduction ratio	i [·]	18,0	19,8	22,0
		24,1	26,8	
Tyre sizes	-	18x7-8; 21x8-9		
Weight	m [kg]	38		
Oil quantity	V_{oil} [l]	0,35		
Oil type	-	API GL4 SAE80W		

Service brake data

Brake fluid type	—	DOT4 or Mineral
Brake piston oil volume	V_{oil} [cm ³]	1,8 ÷ 3,1
Brake torque	T_{fr} [Nm]	1.500 at 65 bar
Brake pressure	pf_{max} [bar]	75
Peak brake pressure	pf_{pk} [bar]	150

Parking brake data

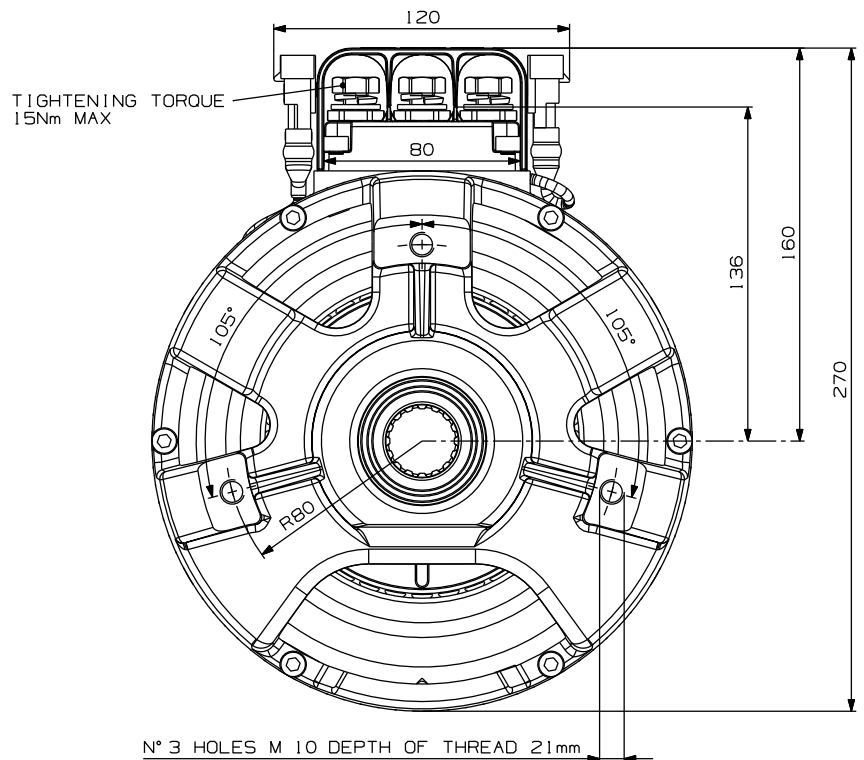
Brake lever stroke	S_L [mm]	5,3 ÷ 9
Parking brake capacity with 1000 N lever force	T_{frp} [Nm]	800

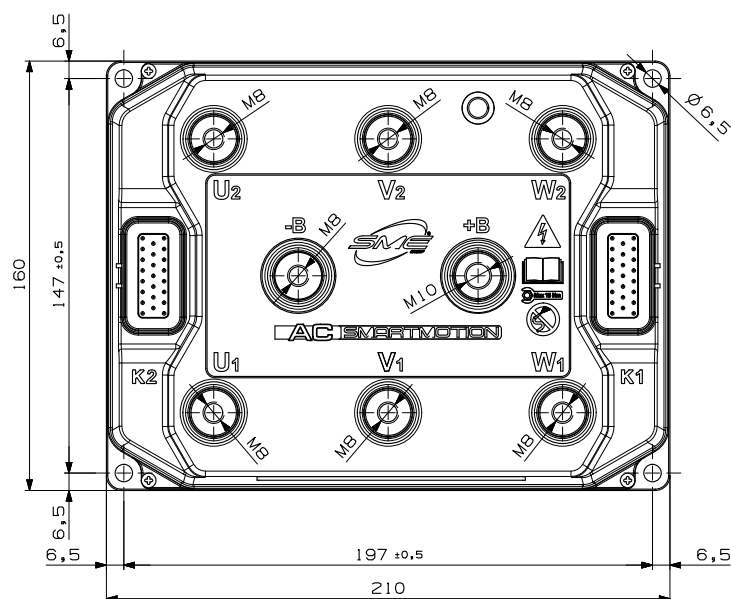
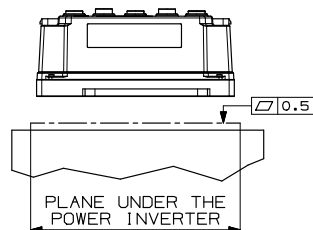
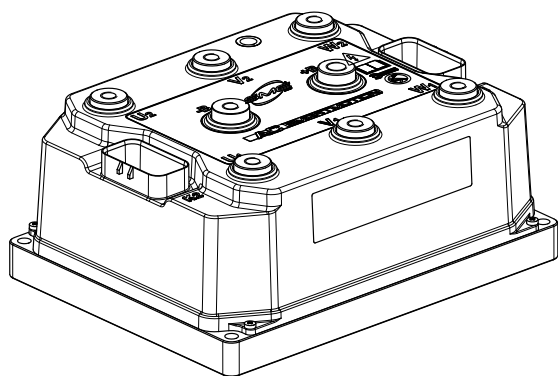
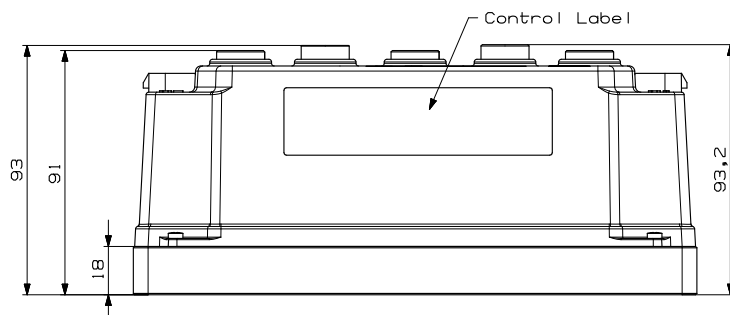
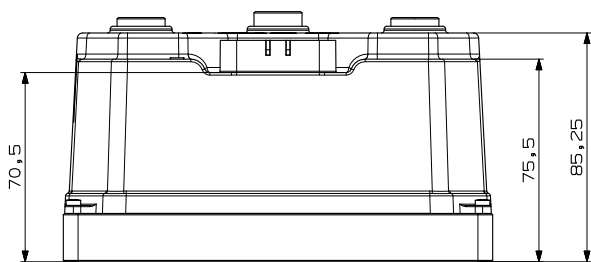


RATING DATA ACCORDING TO EN 1175-1 APPENDIX B	
POWER	6.5 KW
VOLTAGE	34 V
CURRENT	177 A
RATED SPEED	1500 RPM
MAXIMUM SPEED	4500 RPM
FREQUENCY	50 Hz
cos ϕ	0,74
SERVICE	S2 60'
INSULATION CLASS	F
PROTECTION DEGREE	IP 00
BEARINGS	6206 2RS
WEIGHT	38,5 Kg

MAGNETIC SENSOR	
PIN 1 RED	POSITIV
PIN 2 BLACK	GROUND
PIN 3 WHITE	CHANNEL A
PIN 4 BROWN	CHANNEL B

COMPONENT	CODE
ROTOR	MT652B
STATOR	MT643B
WINDING	MT644B
FRONT COVER	MT578B
REAR COVER	MT579B





UNIT OF MEASUREMENT IN mm

MOUNTING RULES	
SUGGESTED THERMAL GREASE TYPE : HTS ELECTROLUBE	
PAINT OF PLANE UNDER AC PANEL MUST TO BE THERMIC CONDUCTIVE	
FIXING MAX TORQUE FOR THE AC PANEL M6 SCREWS IS 6,5Nm	

K1-K2 CONNECTOR AMPSEAL 23 POSITION	
PLUG ASSEMBLY	AMP CODE N° 770680-1
CONTACT 0,5-1,4mm ²	AMP CODE N° 770854-1

SUPPLY VOLTAGE	TBD
MOTOR-1 MAX CURRENT	TBD
MOTOR-2 MAX CURRENT	TBD
ENVIROMENTAL PROTECTION	IP65
WEIGHT	3,4Kg
TYPE CODE	TBD
SOFTWARE CODE	TBD
PRODUCT CODE	TBD