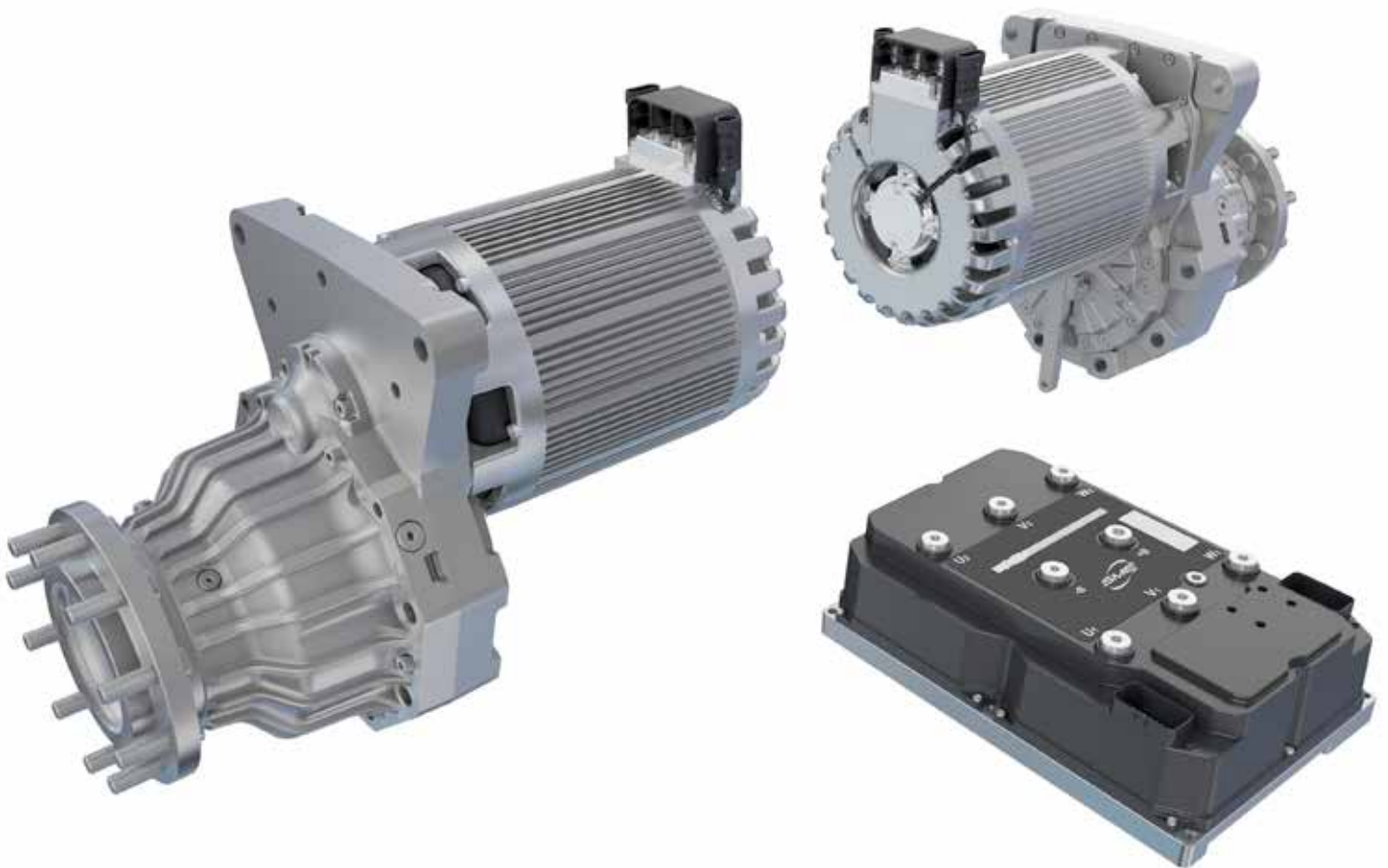


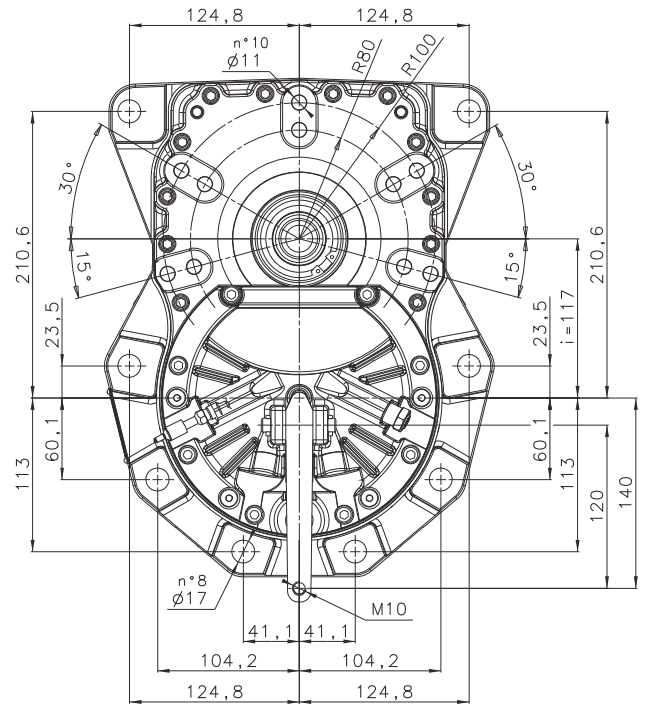
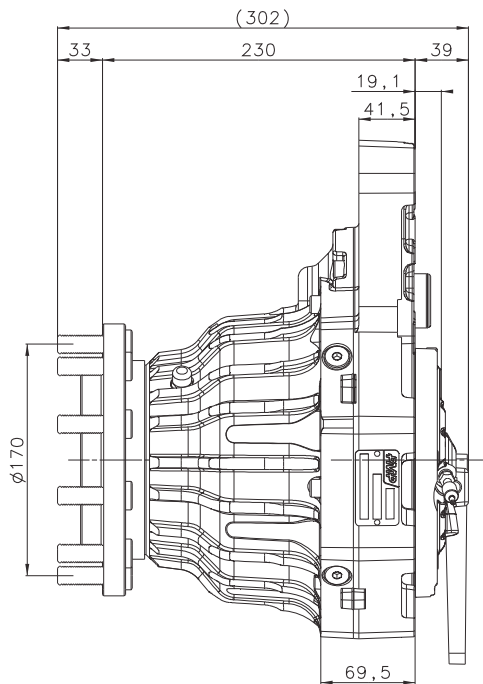
DDS 701 - Dual Drive System

- Electronic differential
- Electronic differential lock
- Power range 5-10 Kw
- Voltage 48V - 144V
- Torque range max 3000 Nm
- Many gear ratios available
- Service brake and parking brake



The AC-M2 Controller is designed for lift trucks and electrical vehicles using dual AC motors up to 26Kw. Based on high reliable DCB technology and stable ITC Control Algorithm, AC-M2 Controller ensures the best performances without use of mechanical differential.

The AC-M2 can be connected via CAN bus to other AC controllers for 3-4 AC motors applications.



drawing shows positive parking brake lever

Gearbox data

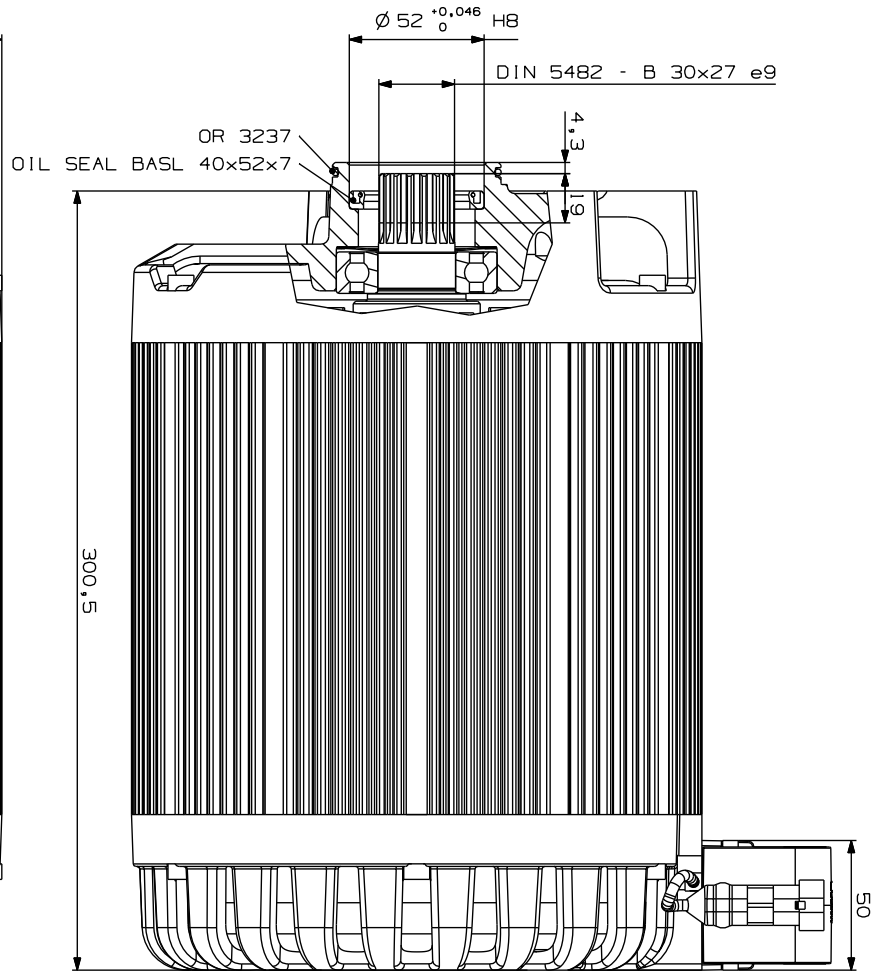
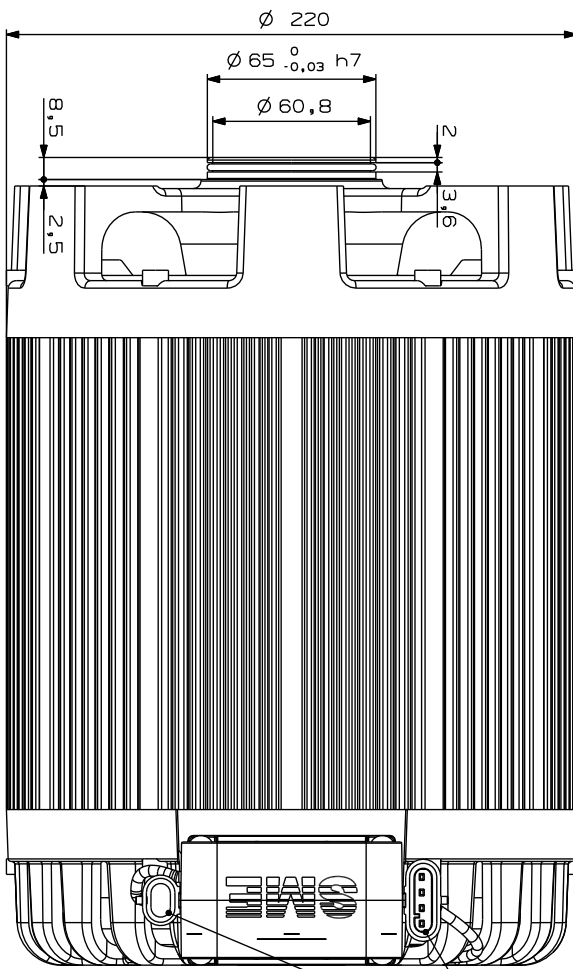
Max output torque	$T_{2_{max}}$ [Nm]	3.000		
Max wheel load	$F_{r_{max}}$ [dN]	4.400		
Electric motor power	P_{el} [kW]	7,5		
Max input speed	n_{max} [rpm]	5.000		
Reduction ratio	i [:]	17,5	20,4	24,2
		27,3	29,5	
Tyre sizes	-	23x9-10; 23x10-12		
Weight	m [kg]	57		
Oil quantity	V_{oil} [l]	1,2 ÷ 1,3		
Oil type	-	API GL4; SAE80W		

Service brake data

Brake fluid type	—	DOT4 or Mineral
Brake piston oil volume	V_{oil} [cm ³]	3,2 ÷ 5,6
Brake torque	T_{fr} [Nm]	3.300 at 65 bar
Brake pressure	pf_{max} [bar]	85
Peak brake pressure	pf_{pk} [bar]	150

Parking brake data

Brake lever stroke	S_L [mm]	15 ÷ 21
Parking brake capacity with 1000 N lever force	T_{frp} [Nm]	1.700



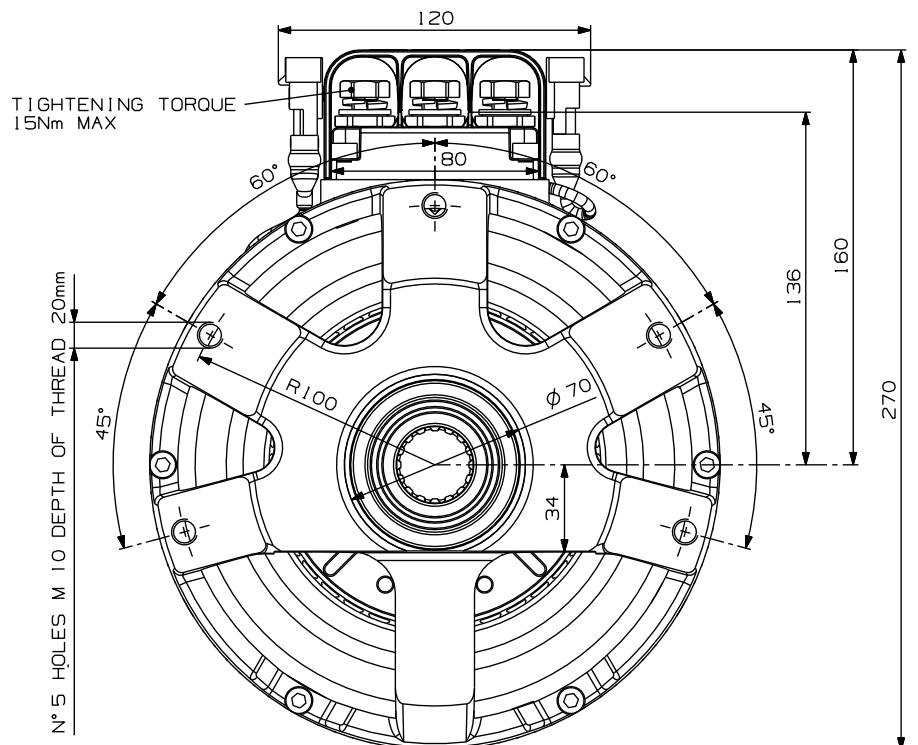
ENCODER CONNECTOR TYPE AMP SUPERSEAL 4 POSITIONS

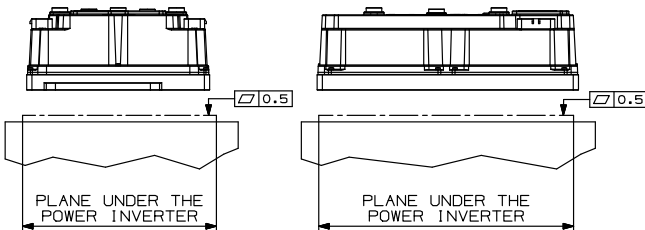
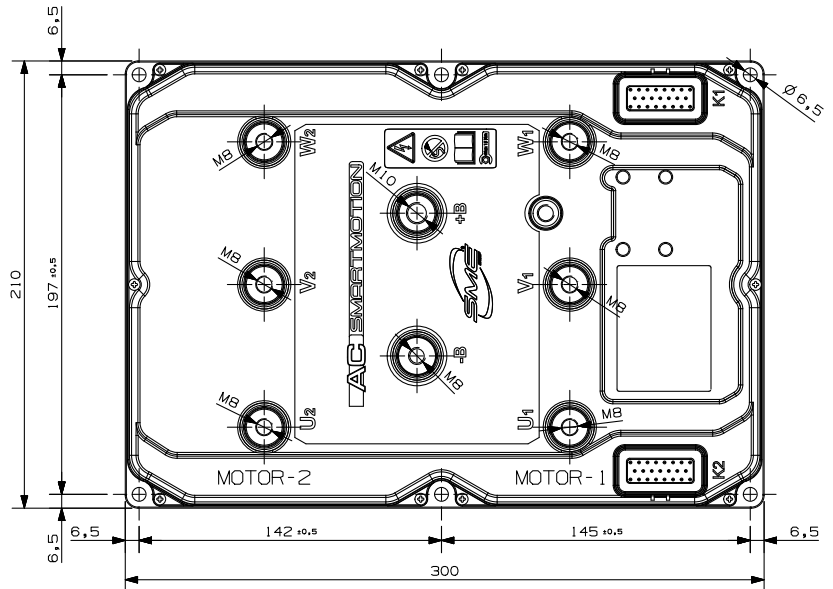
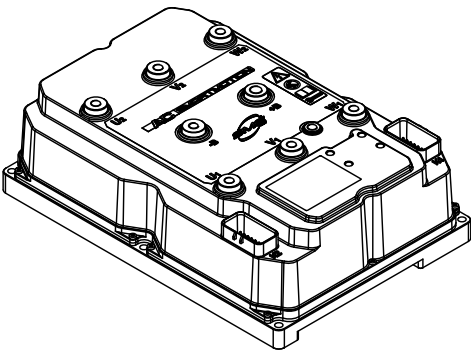
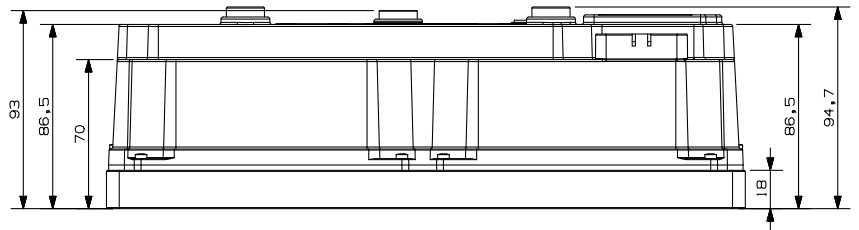
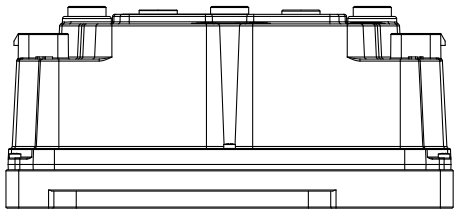
THERMAL DRILL CONNECTOR TYPE AMP SUPERSEAL 2 POSITIONS

RATING DATA ACCORDING TO EN 1175-1 APPENDIX B	
POWER	10 KW
VOLTAGE	55.9 V
CURRENT	139 A
RATED SPEED	1900 RPM
MAXIMUM SPEED	4500 RPM
FREQUENCY	63 Hz
cos φ	0,85
SERVICE	S2 60'
INSULATION CLASS	F
PROTECTION DEGREE	IP 00
BEARINGS	6206 2RS
WEIGHT	46 Kg

MAGNETIC SENSOR		
PIN 1	RED	POSITIV
PIN 2	BLACK	GROUND
PIN 3	WHITE	CHANNEL A
PIN 4	BROWN	CHANNEL B

COMPONENT	CODE
ROTOR	MT647B
STATOR	MT649B
WINDING	MT648B
FRONT COVER	MT588B
REAR COVER	MT579B





UNIT OF MEASUREMENT IN mm

FIX THE POWER INVERTER WITH 6 SCREWS M6 AT MAX. TORQUE 6,4Nm

SUPPLY VOLTAGE	TBD
MOTOR-1 MAX CURRENT	TBD
MOTOR-2 MAX CURRENT	TBD
ENVIROMENTAL PROTECTION	IP65
WEIGHT	5,4Kg
TYPE CODE	TBD
SOFTWARE CODE	TBD
PRODUCT CODE	TBD

K1-K2 CONNECTOR AMPSEAL 23 POSITION	
PLUG ASSEMBLY	AMP CODE N° 770680-1
CONTACT 0,5-1,4mm ²	AMP CODE N° 770854-1