

PowerPak



PowerPak

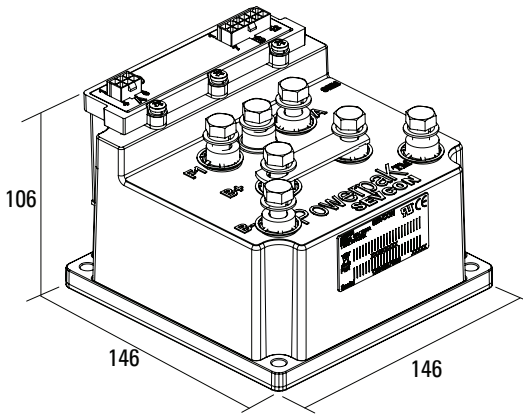
DC MOTOR CONTROLLER

The Powerpak series is a comprehensive range of vehicle controllers, combining ultra compact size with an unrivaled power to dimension ratio. With current ratings of up to 600A these controllers occupy a footprint of only 142x142 mm. This makes it up to 75% smaller than similar function units of other makes.

FEATURES

- Ultra compact size
- Regenerative braking
- Speed compensation for steering
- High frequency - silent operation
- Removable logic unit
- Calibrator interface
- FLASH memory
- Choice of display options
- Sevcon CAN compatible

PowerPak



KEY PARAMETERS

	Battery Voltage (Vdc)	Max Power (kW)	Peak Current 1 Min (A)	Max Field Current (A)
Series Traction	24-48	4.5	300	-
		5.8	450	-
		8.5	650	-
	80	8.5	450	-
		8.5	600	-
SEM Traction	24-48	4.5	350	50
		6.5	500	50
	80	8.5	420	50
		8.5	600	-
Series Pump	24-48	8.5	300	-
		5.5	450	-
		8.5	650	-
	80	8.5	450	-
		8.5	600	-
		8.5	600	-

IP55 Protection Weight 1.8kg

SERIES MOTOR TRACTION CONTROLLER

The PowerPak series Traction Controller can be used in a single or twin motor system. In a twin motor system it can be easily configured as master or slave. A range of contactor drive options are available to match the application. These controllers are also available on a variety of standard pre-wired panels complete with contactors, etc.

SEPARATELY EXCITED MOTOR (SEM) CONTROLLER

The SEM Controller offers a contactor free solution to direction change, regenerative braking and field weakening without the need for extra sensors. Controllers can be used in single or twin and be configured as a master or slave.

SERIES MOTOR PUMP CONTROLLER

Dedicated flexible solution. The Pump Motor Controller comes standard with two variable and five configurable speed inputs as well as speed compensation for use in power steering applications.

INPUTS AND OUTPUTS

Standard configurations of digital and analog inputs and outputs (I/O) are especially suitable for twin motor applications. Functions include throttle inputs, limit switch inputs, contactor drives, hour counters, and instrumentation. This allows use as a stand-alone unit or to be integrated into a vehicle system.

- 6 Digital Switch Inputs
- 2 Analogue Inputs
- 2 Contactor Drive Outputs

FLASH MEMORY FOR INCREASED FLEXIBILITY

Because application programs are stored in Flash Memory, the controller can be reprogrammed in-situ, increasing flexibility and commonality of system design.

ENHANCED RELIABILITY AND PERFORMANCE

Sevcon's patented MOSFET switching design delivers peak dependability and performance, as well as silent operation utilizing a 16 kHz high switching frequency.

CAN COMMUNICATIONS

The Micropak controllers use the Sevcon Controller Area Network (CAN) serial communications bus. This allows multiple controllers to effectively communicate within the vehicle system to increase safety and reliability with the minimum of wiring.