

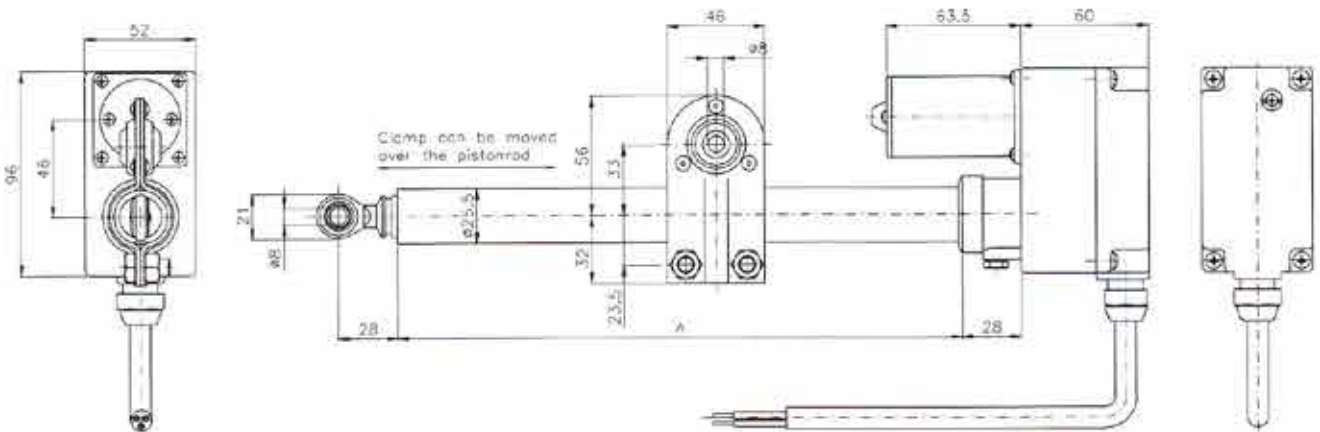
AL1024.1 12/24 VDC-2000N

Specifications

- Compact model
- Integral adjustable limit switches
- Low cost
- 100% self locking
- Acme screw
- Protection level IP44
- 24VDC
- 10 % Duty cycle

Options

- Bellow



Model	Force [N]	Speed [mm/s]	A [mm]	Stroke
AL1024.1	1000	3	167	100 mm

