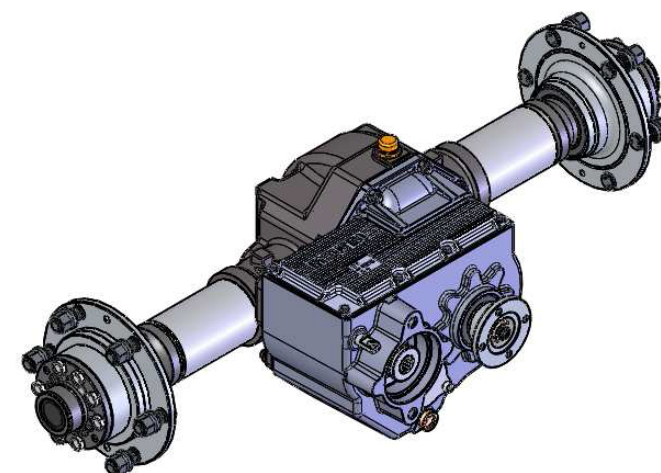
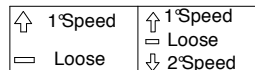
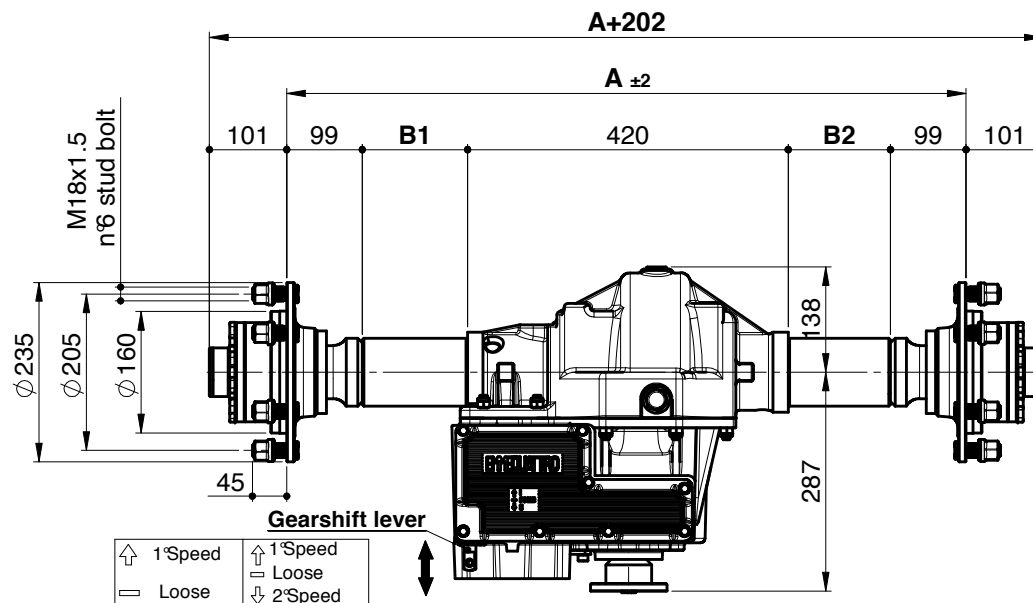
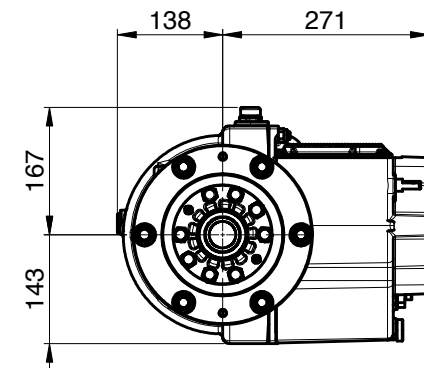
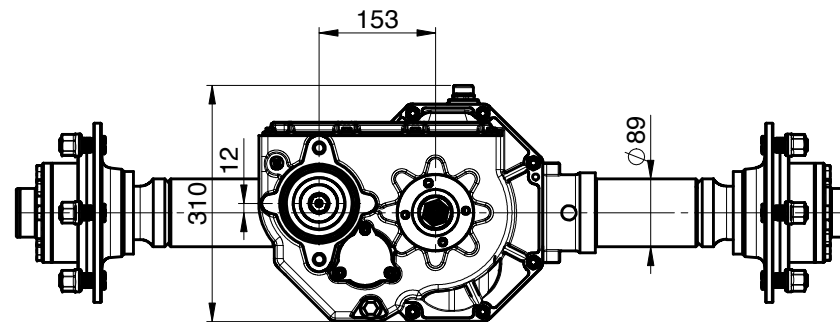


AVAILABLE WITH ONE OR TWO SPEEDS



**TECHNICAL DATA**

Max allowable axle load	<b>32000</b>	N
Max wheel torque	<b>4000</b>	Nm
Max steering angle	-	
Axle ratio	-	
Gear box	1 <sup>st</sup> speed ratio	<b>1:31.21</b>
	2 <sup>nd</sup> speed ratio	<b>1:7.71 / 1:12.16</b>
Input max rpm	<b>4000</b>	rpm
Min track width	<b>880</b>	mm
Max track width	<b>1950</b>	mm

**OPTIONAL**

See attachments