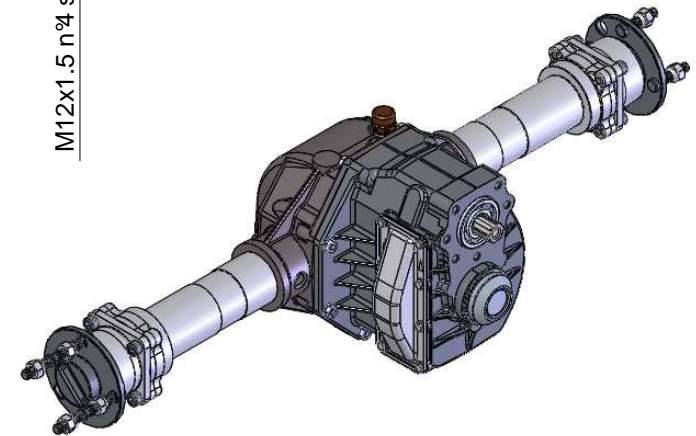


M12x1.5 n°4 stud bolt



### TECHNICAL DATA

Max allowable axle load	<b>17000</b>	N
Max wheel torque	<b>1500</b>	Nm
Max steering angle	-	
Axle ratio	1:9.32 / 1:9.94 / 1:11.59 / 1:14.15 / 1:19.86	
Gear box	1 <sup>st</sup> speed ratio	-
	2 <sup>nd</sup> speed ratio	-
Input max rpm	<b>3200</b>	rpm
Min track width	<b>820</b>	mm
Max track width	<b>1300</b>	mm

### OPTIONAL

See attachments