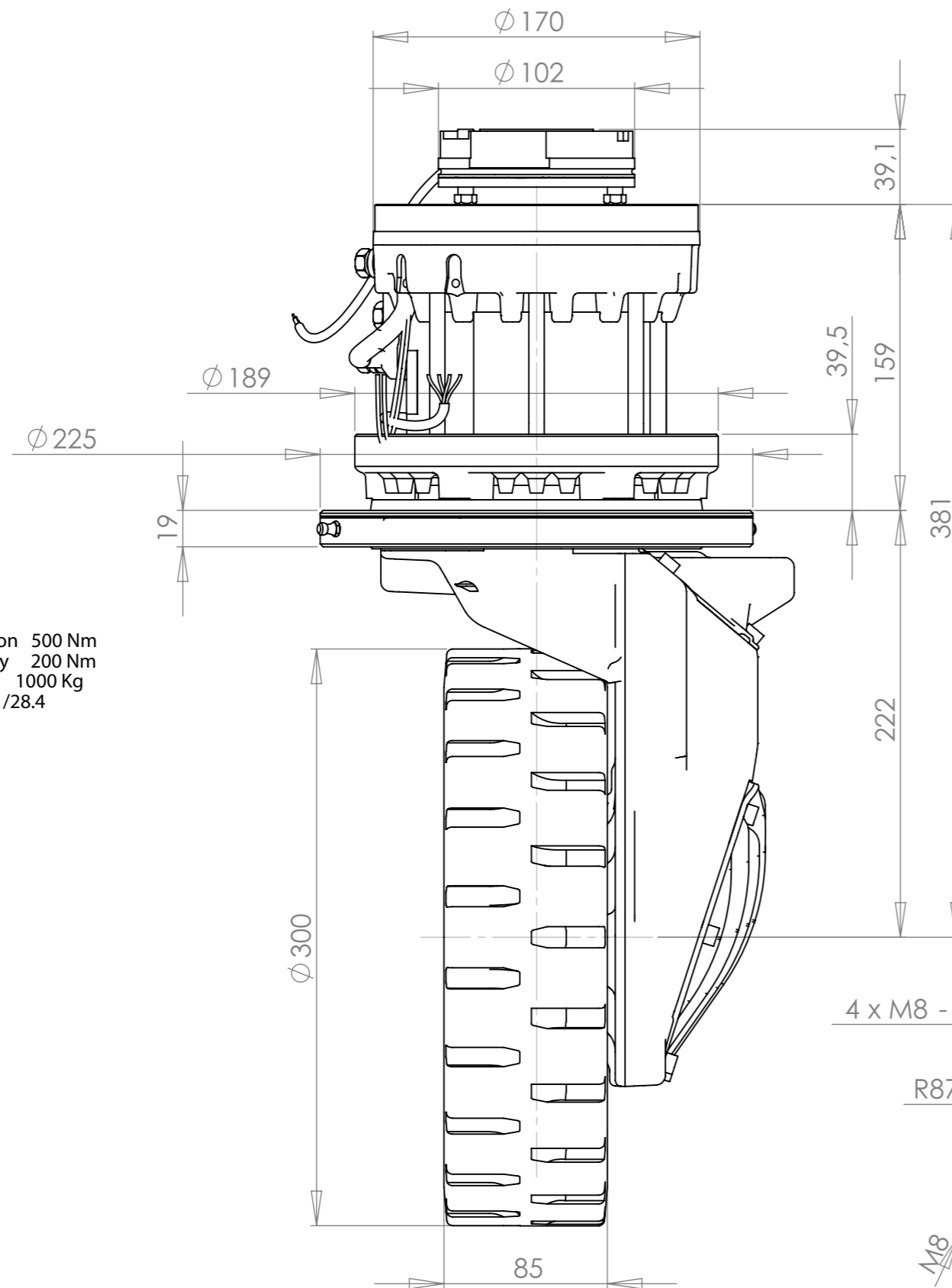


AV-300



TECHNICAL DATA

GEARBOX AV-300

Max wheel torque in acceleration 500 Nm
 Max wheel torque continuously 200 Nm
 Total load on drive unit 1000 Kg
 Gear ratio 1/28.4
 Oil SAE 80/W90 1.25 lt
 Wheel in Rubber Ø 300 x 85

BRAKE 24v DC 15 Nm

TRACTION MOTOR

Power 1.2. Kw AC
 Voltage 3 x 17 V
 Isolation class F
 Protection IP 20
 Nominal current 58 A
 Nominal frequency 124 hz
 Nominal speed 3525 rpm

Max torque
 Wheel speed 55rpm
 Wheel torque 400Nm
 Current 160A
 Frequency 60Hz
 Slip 10Hz
 Rated power
 Wheel speed 121rpm
 Wheel torque 85Nm
 Current 65A
 Frequency 125Hz
 Slip 8Hz
 Service S2=60min
 Max speed
 Wheel speed 134rpm
 Wheel torque 68Nm
 Current 60A
 Frequency 142Hz
 Slip 8Hz
 Service S2=60min

SPEED SENSOR

64 Pulse
 Red Positive
 Blue Channel A
 White Channel B
 Black Ground

THERMAL SENSOR

Wheel Super Elastic Rubber

