

MR220

PERFORMANCE FEATURES

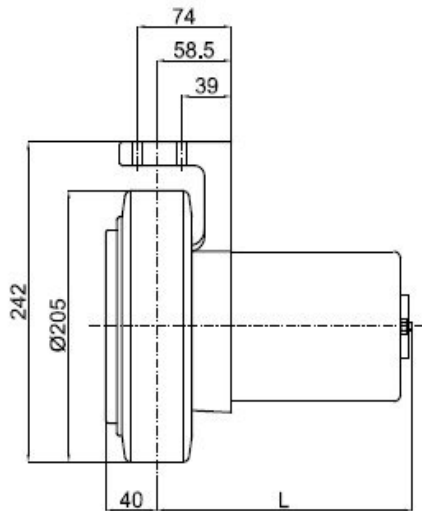
Motor examples (12-48V available)		500W, 24V, 3000rpm, PM	400W, 48V, 2800rpm, PM
Drive wheel gear ratio	i	27	27
Max vehicle weight	kg	1115	956
Max wheel load	kg	700	700
Wheel torque	Nm	43	37
Current adsorbed (S2)	A	30 (60 min)	10 (30 min)
Vehicle speed on flat	km/ h	4.6	4.2
e/m brake torque	Nm	5	5
Polyurethan tyre diameter	mm	220	220
Weight	kg	30	30

AVAILABLE ON REQUEST

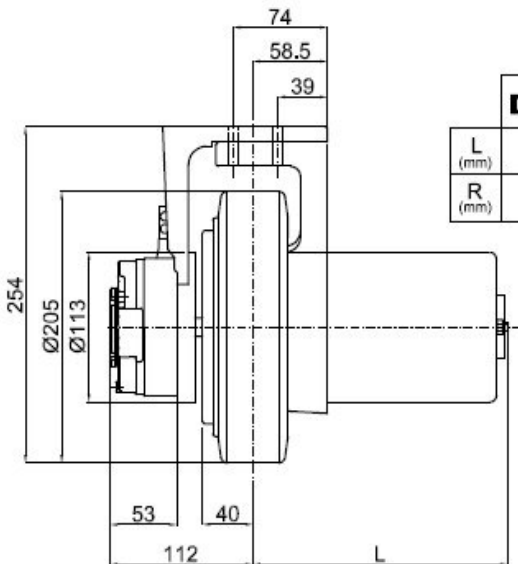
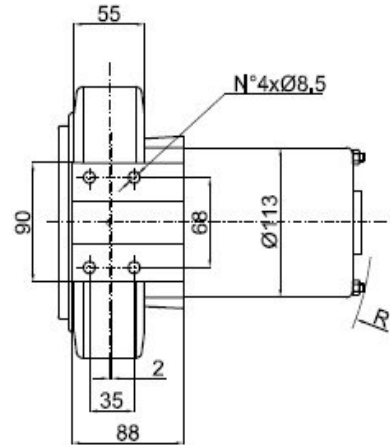
- Gear Ratio 29: 1
- Other motor windings

NOTE: “Max vehicle weight”, “Wheel torque”, “Current adsorbed” and “Vehicle speed on flat” always refer to the labelled power of the motor.

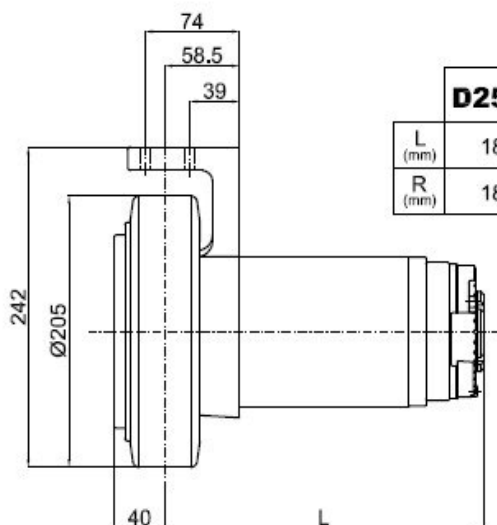
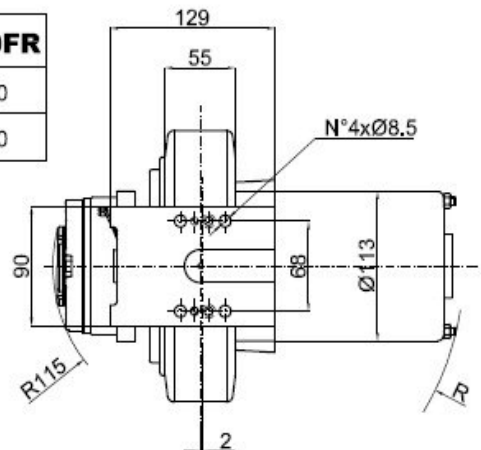
To have detailed information please contact our technical department.



	D25	D10	M70
L (mm)	146	169	200
R (mm)	147	170	210



	D25FR	D10FR	M70FR
L (mm)	146	169	200
R (mm)	147	170	210



	D25FM	D10FM	M70FM
L (mm)	187	215	250
R (mm)	188	217	251

