

## MR240

### PERFORMANCE FEATURES

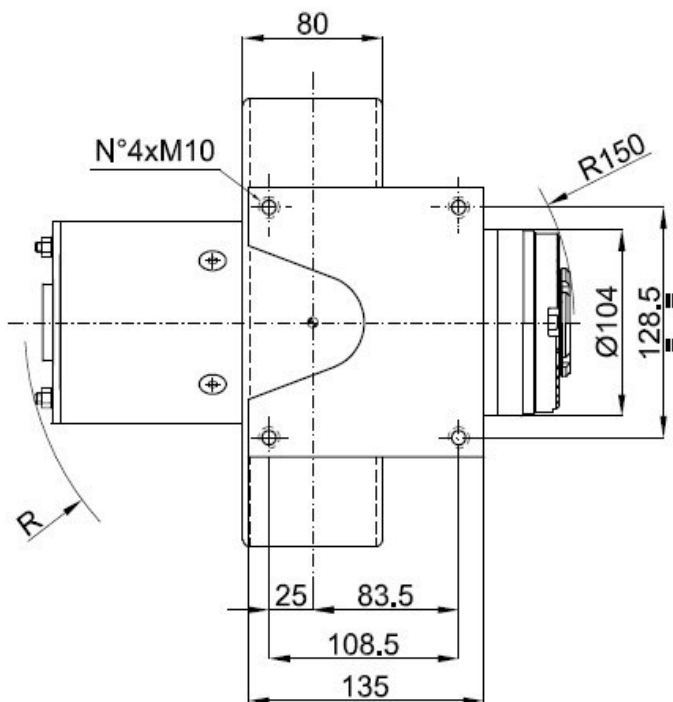
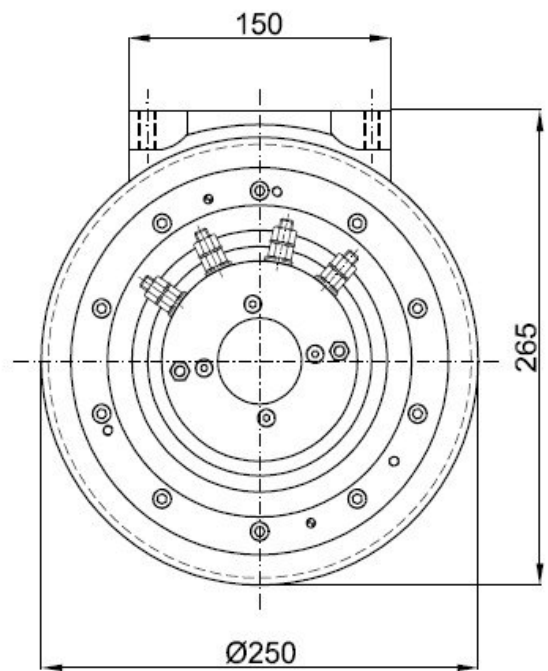
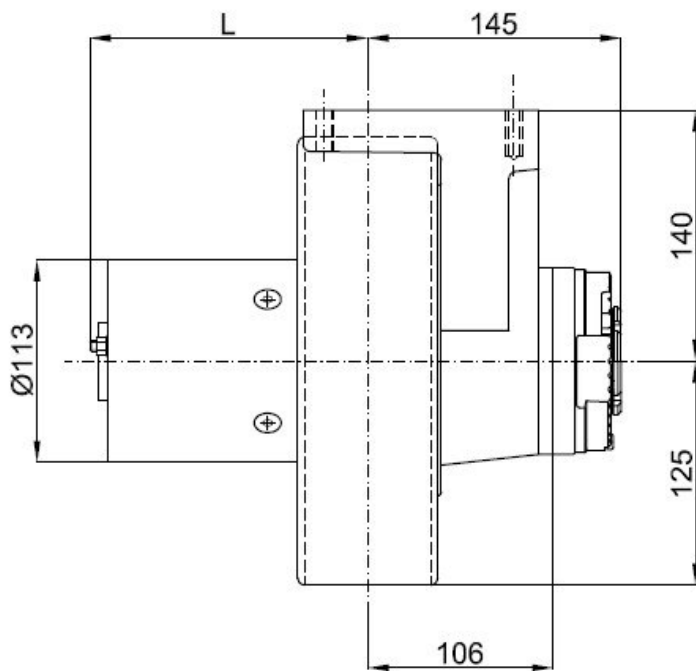
Motor examples (12-48V available)		700W, 24V, 2500rpm,	900W, 24V, 2700rpm,	1200W, 24V, 3000rpm,
		permanent magnets	series wound 4 terminals	separately excited
Drive wheel gear ratio	i	32	32	32
Max vehicle weight	kg	1954	2326	2791
Max wheel load	kg	1000	1000	1000
Wheel torque	Nm	86	102	122
Current adsorbed (S2)	A	36 (60 min)	45 (45 min)	64 (20 min)
Vehicle speed on flat	km/ h	3,6	4	4,4
e/m brake torque	Nm	10	10	10
Polyurethan 90SH tyre diameter	mm	250	250	250
Weight	kg	31	31	31

#### AVAILABLE ON REQUEST

- Gear Ratio 19,5:1, 26:1
- Rubber wheel D.250x80 (Max wheel load 650kg)
- Wheel D.260x80 (drive wheel code MR245)
  - rubber.....(max wheel load 700kg)
  - polyurethan.....(max wheel load 1150kg)
- Other motor windings

**NOTE:** “Max vehicle weight”, “Wheel torque”, “Current adsorbed” and “Vehicle speed on flat” always refer to the labelled power of the motor.

To have detailed information please contact our technical department.



## MR240FR

	700W	900W-1200W
	- magneti permanenti	- ecc. serie
	- permanent magnets	- ecc. separata
		- series wound
		- separately excited
L (mm)	145	159
R (mm)	151	165