

## MR415

### PERFORMANCE FEATURES

Motor examples (24-80V available)		5000W, 48V, 2000rpm,  separately excited	7000W, 48V, 2950rpm,  separately excited	5000W, 48V, 2000rpm, serie  series wound 4 terminals
Drive wheel gear ratio	i	25,6	25,6	25,6
Max vehicle weight	kg	8593	8156	8593
Max wheel load	kg	4000	4000	4000
Wheel torque	Nm	611	580	611
Current adsorbed (S2)	A	122 (60 min)	170 (60 min)	130 (60 min)
Vehicle speed on flat	km/ h	5,9	8,8	5,9
e/m brake torque	Nm	75	75	75
Polyurethan 90SH tyre diameter	mm	406	406	406
Weight	kg	186	186	186

#### AVAILABLE ON REQUEST

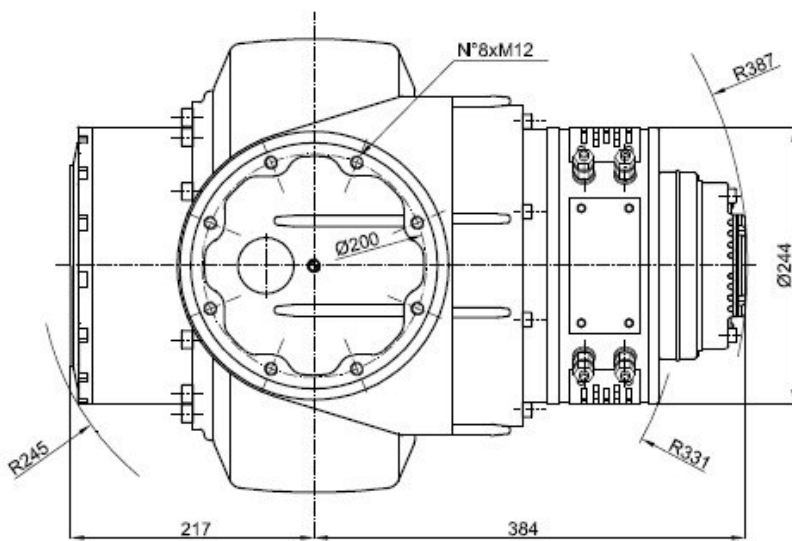
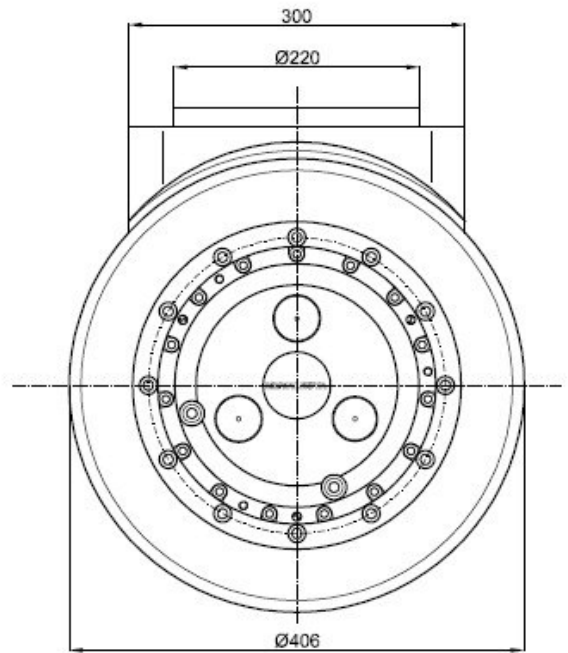
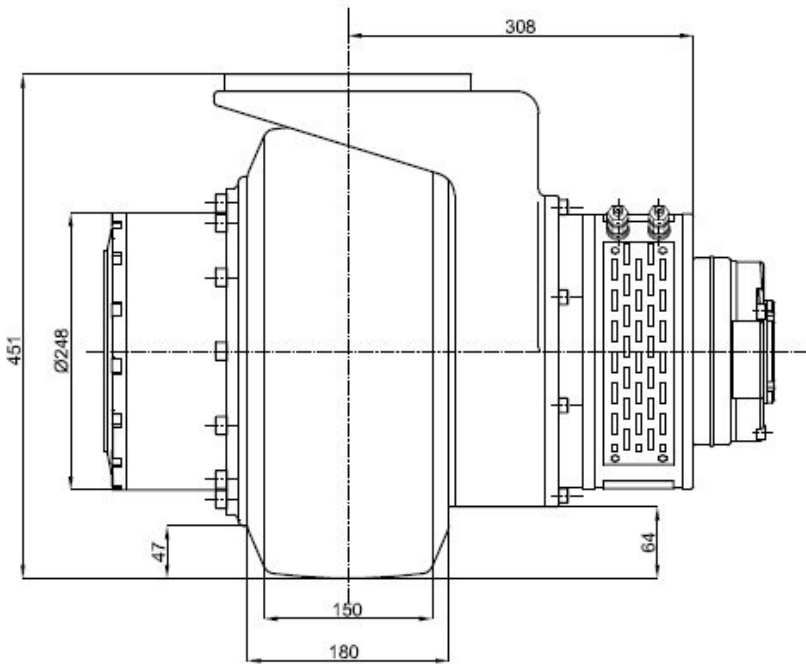
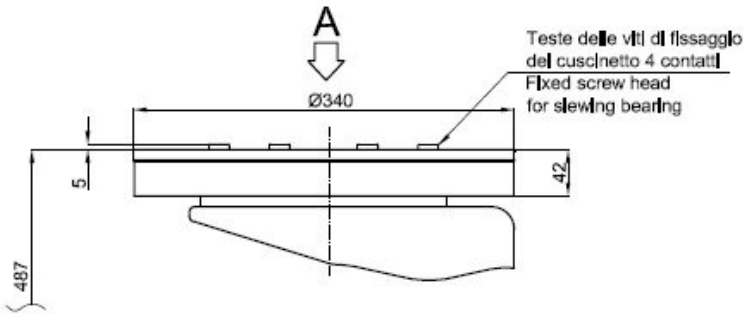
- Other motor windings

**NOTE:** “Max vehicle weight”, “Wheel torque”, “Current adsorbed” and “Vehicle speed on flat” always refer to the labelled power of the motor.

To have detailed information please contact our technical department.

## MR415FM

- Ralla di rotazione a richiesta
- Slewing bearing on request



### VISTA DA A A VIEW

