

WRC260S

PERFORMANCE FEATURES

Technical Data		A.C. Motor D.C. Motor
Power	W	1500 ÷ 2500
Voltage	V	24 ÷ 96
Gear Ratio	i	16:1
Steering System Ratio	i	186
Wheel	mm	254x123
Max Wheel Torque	Nm	500
Max Wheel Load	kg	- - 1800
		rubber polyurethan vulkollan
Break Torque	Nm	20
Weight	kg	110

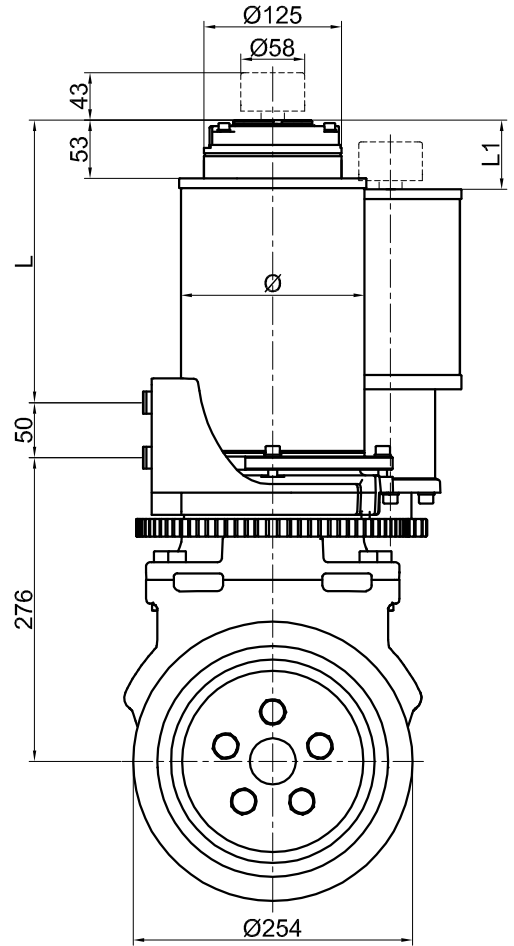
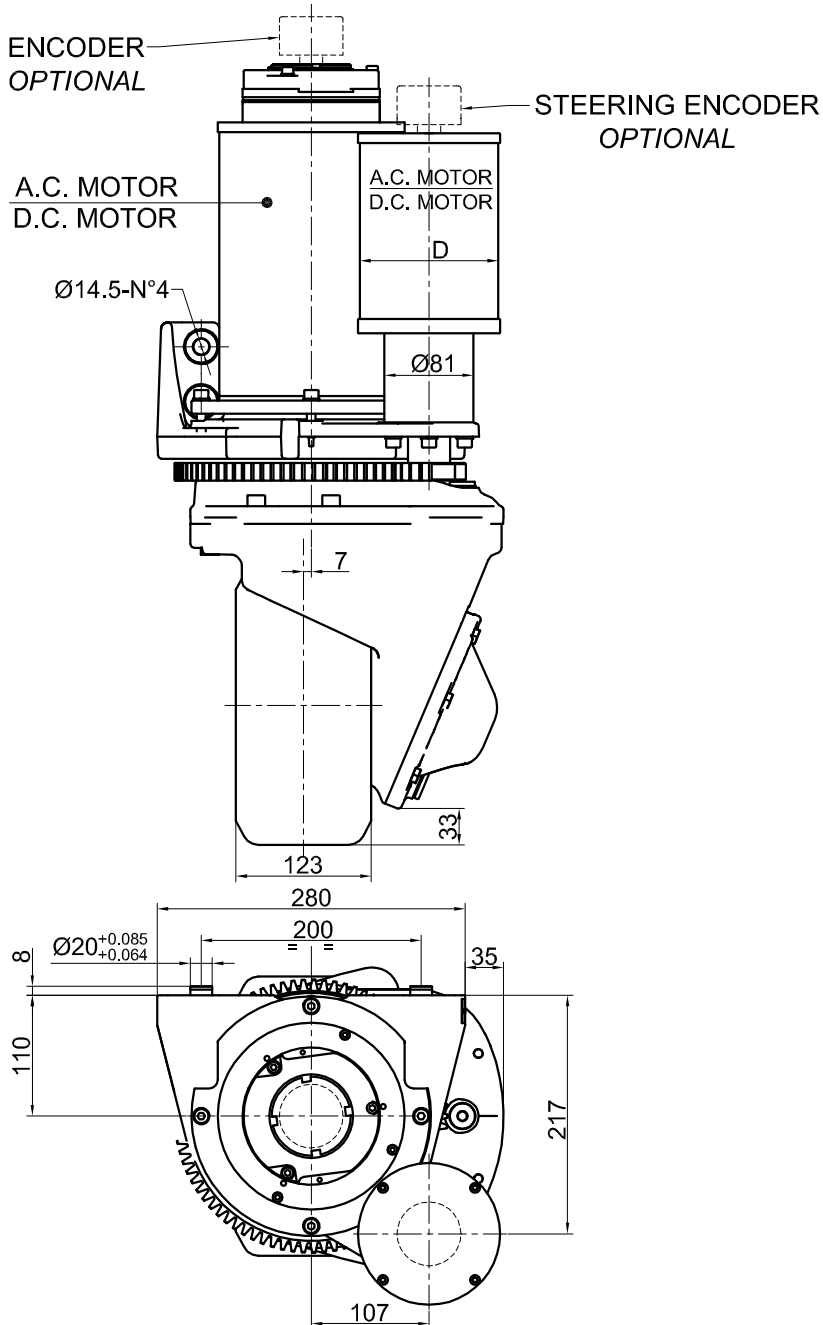
AVAILABLE ON REQUEST

- Other motor windings

NOTE: “Max vehicle weight”, “Wheel torque”, “Current adsorbed” and “Vehicle speed on flat” always refer to the labelled power of the motor.

To have detailed information please contact our technical department.

WRC260S



WRC260FMS

Motor Ø151

	A.C. MOTOR	D.C. MOTOR
L	257	296
L1	63	121
Ø	167	151
D	126	113