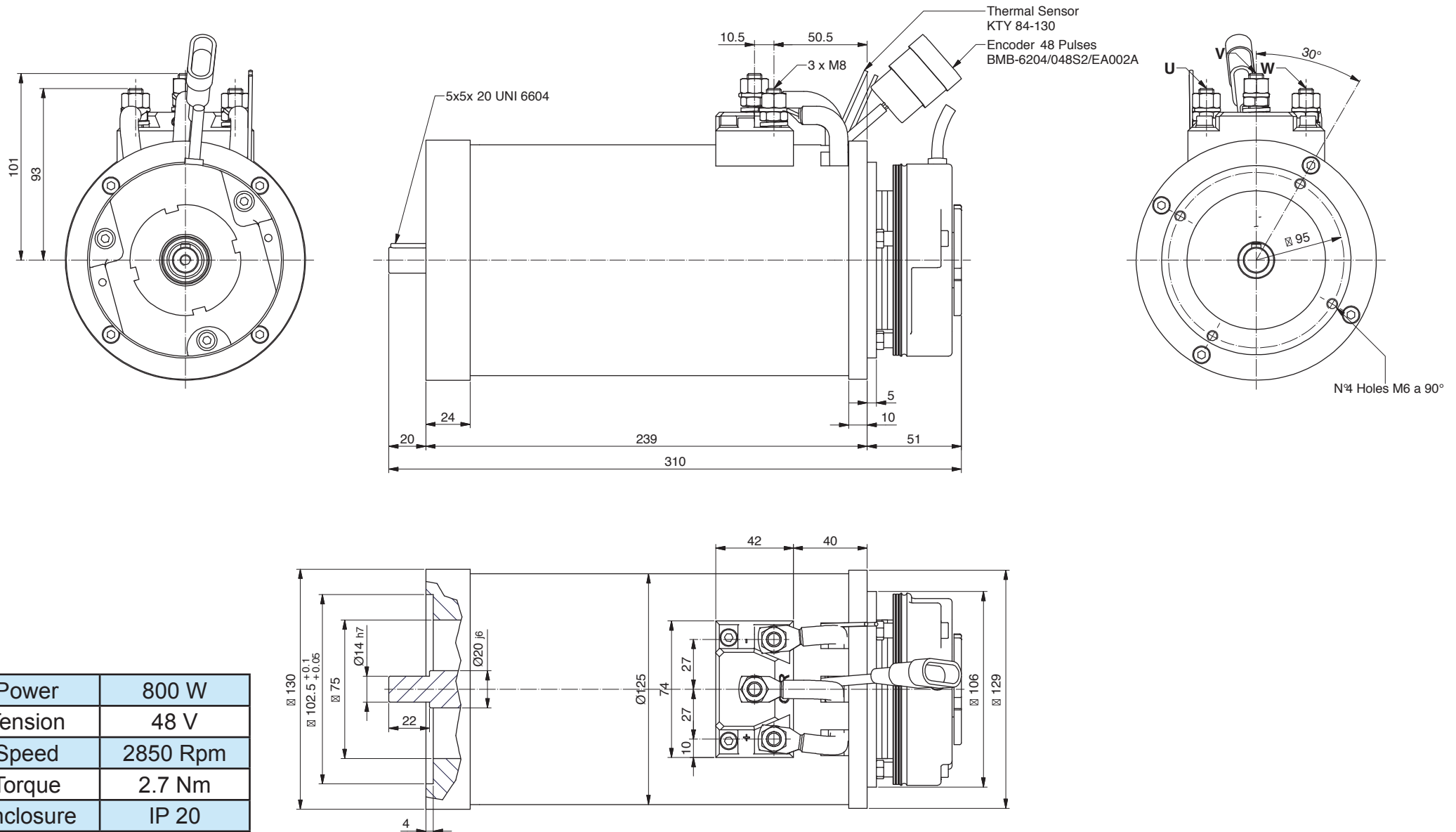


# AM106.P0012



Power	800 W
Tension	48 V
Speed	2850 Rpm
Torque	2.7 Nm
Enclosure	IP 20