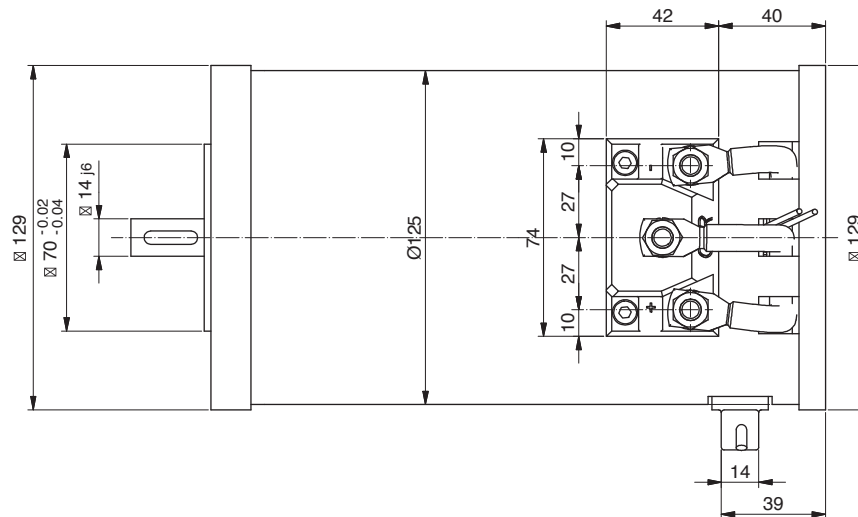
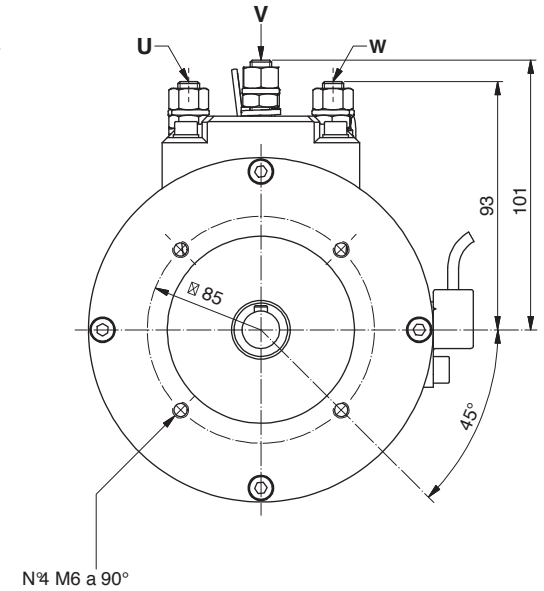
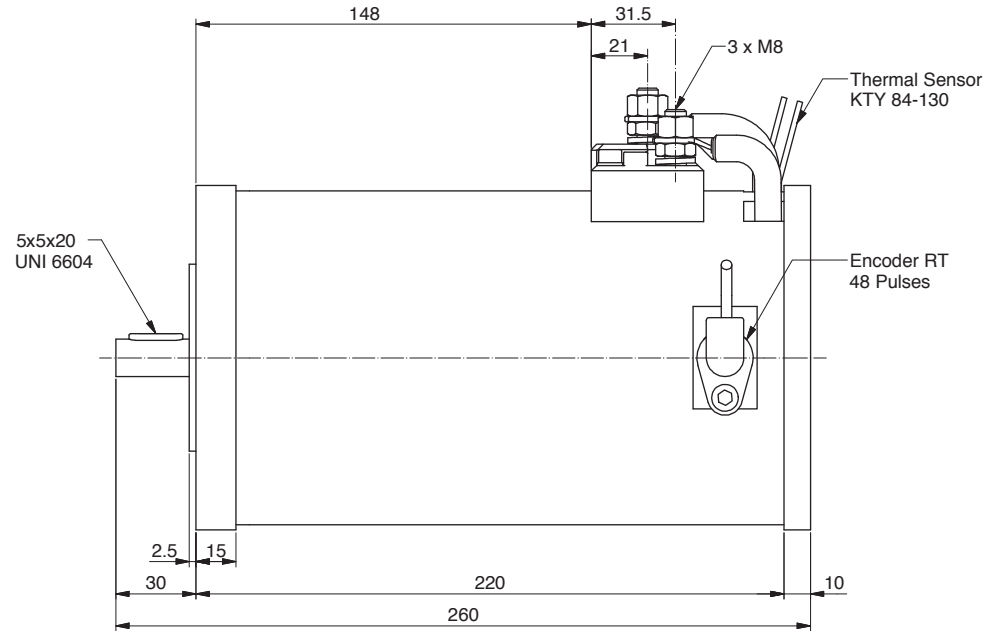
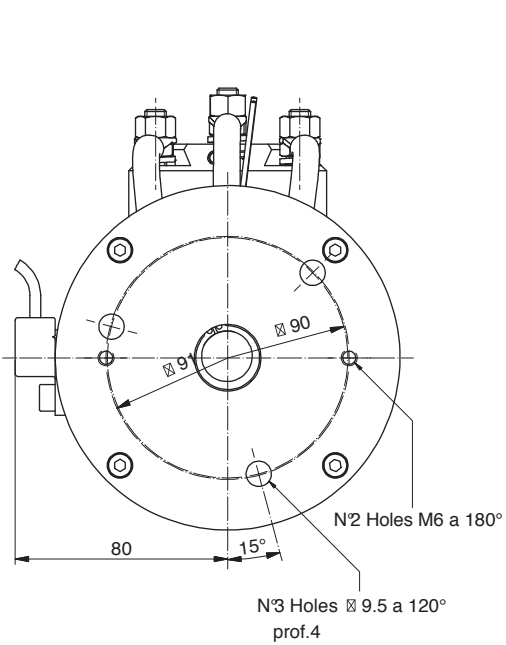


AL106



Power	1000 W
Tension	72 V
Speed	1600 Rpm
Torque	5.9 Nm
Enclosure	IP 23