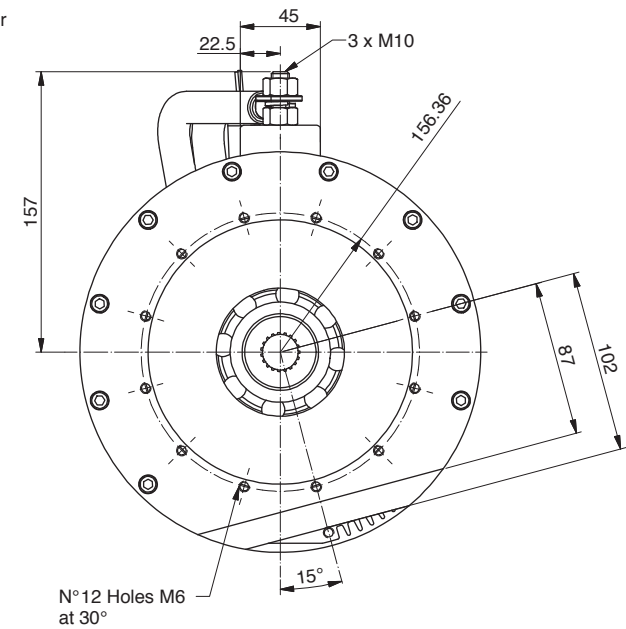
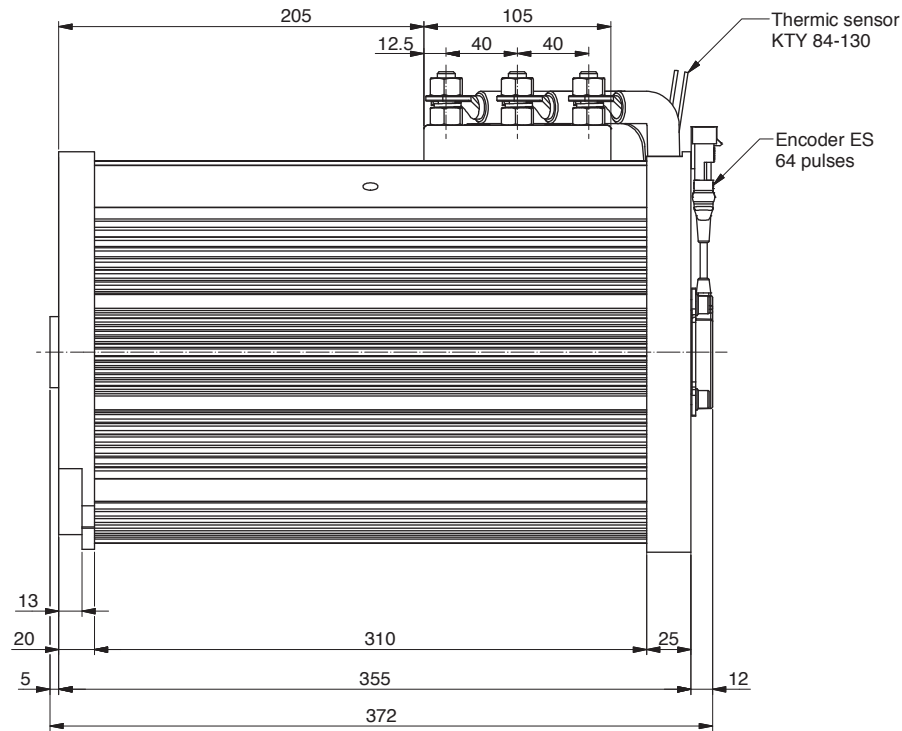
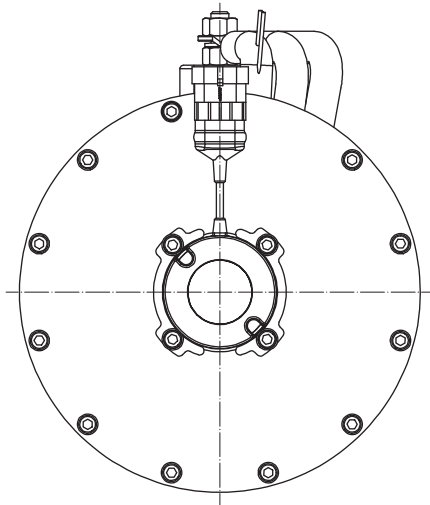
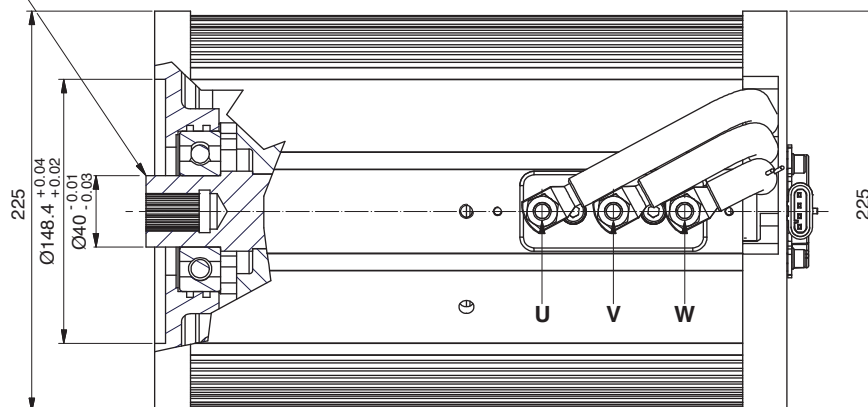


ALE200.0299



Splined Shaft 24/48 DP-19T - Useful 35mm
Heat treatment
Induction Hardening
HRC 60



Power	10000 W
Tension	80 V
Speed	2850 Rpm
Torque	33.5 Nm
Enclosure	IP 44