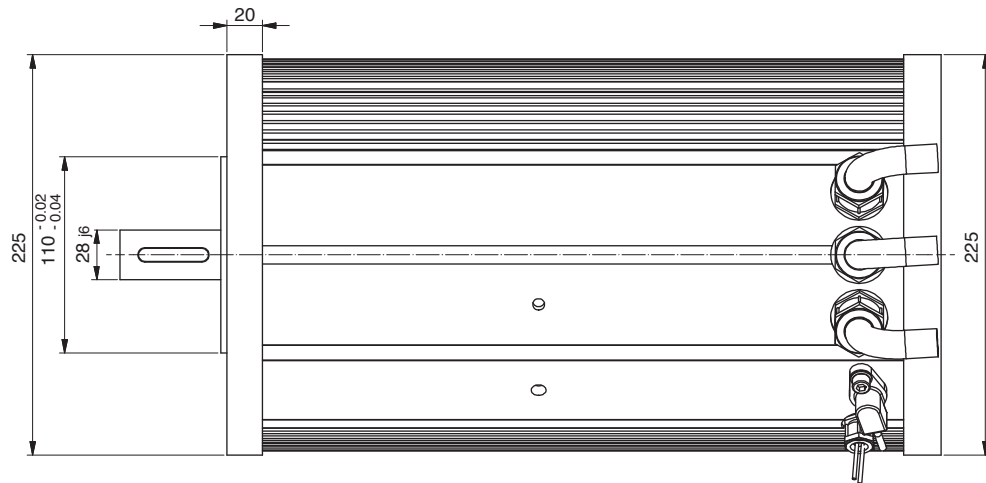
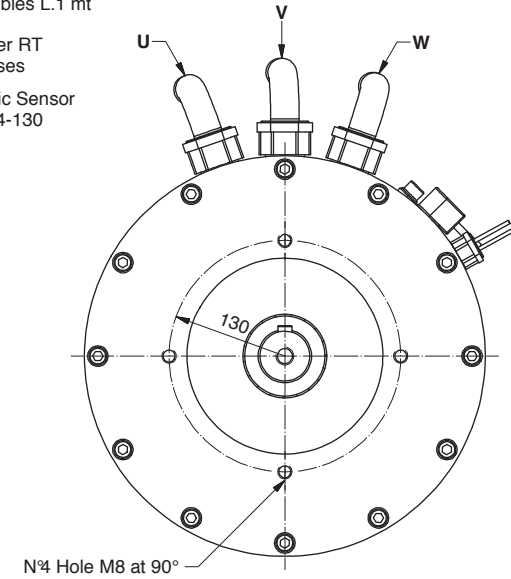
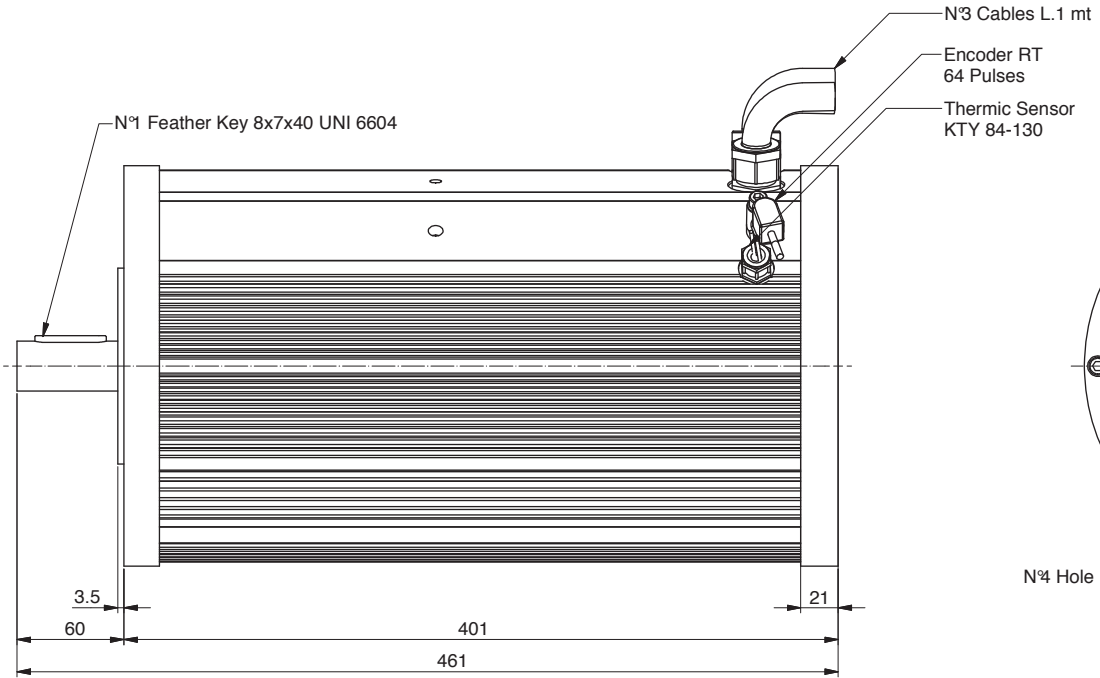
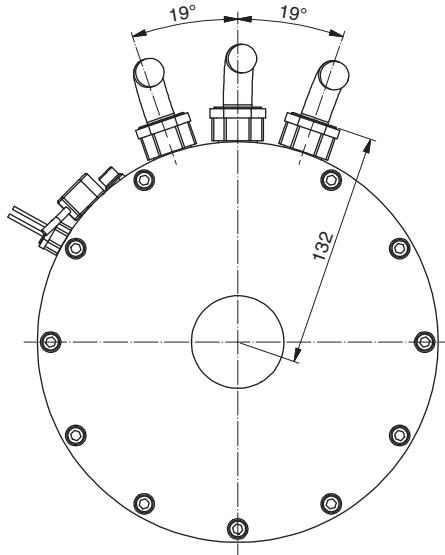


ALE200.P0015



Power	6000 W
Tension	72 V
Speed	2650 Rpm
Torque	21.6 Nm
Enclosure	IP 65