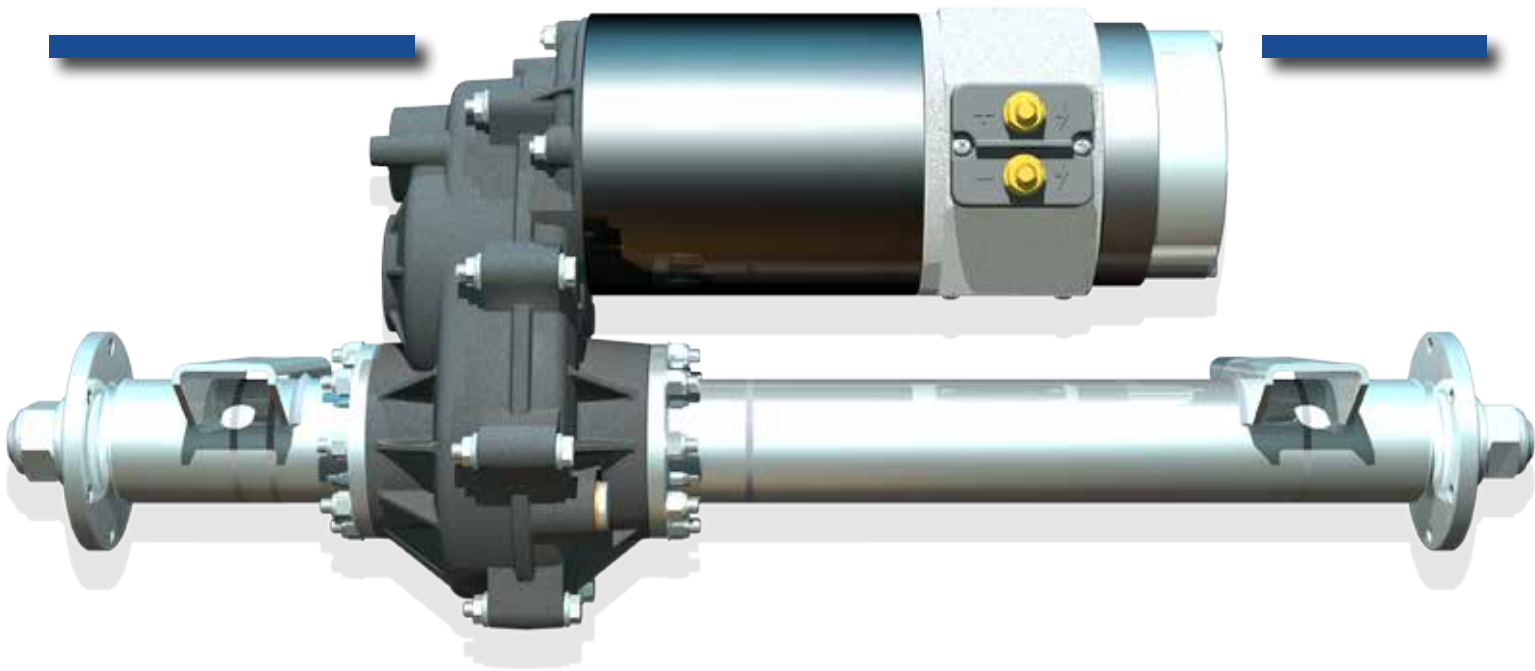


***benevelli***

TRANSAXLES & POWER DRIVE UNITS  
Made in Italy



**TXI SERIES**

**TRANSAXLES DRIVE UNIT**

EXCLUSIEVE DISTRIBUTIE VOOR DE BENELUX:

**ALPATEK**

BATTERY DRIVE SYSTEMS AND MOTORS

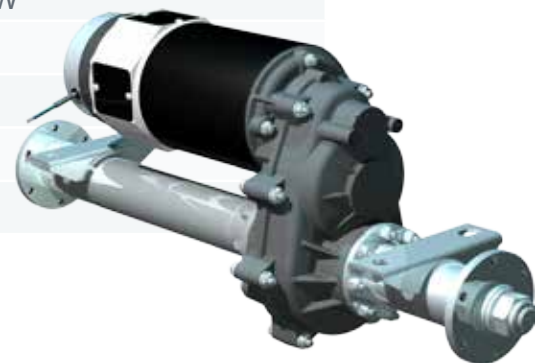
**DCPM WHEEL HUBS VERSION**

## DCPM Direct Current Permanent Magnet Motor

The TX1 Transaxle Drive System is a complete package comprised of a reduction/differential gear assembly, rigid drive axle, DCPM motor and an electromagnetic parking brake. Different gear ratios, track-width, wheel hubs and differential locking system are available for customization. The main features of our products are their extremely robust structure and high quality components for a heavy duty use, every product is designed and produced in our Italian facility, for this reason we can guarantee a strong control over quality and repeatability.

## Technical Specifications

|                     |   |
|---------------------|---|
| Gear Ratios         | 1:06 1:09 1:11 1:13 1:16 1:22 1:24 1:32     |
| Output Torque       | 400Nm (295ft.lbs) Maximum                   |
| Input Speed         | 7200Rpm Maximum                             |
| Static Load Rating  | 400Kg (880lb)                               |
| Lubrication         | Oil SAE80W90 GL3<br>0,25Litres (0,44Pintes) |
| Trackwidth          | From 400mm (16") up to 1150mm (45")         |
| Fixing              | Mounting Brackets                           |
| Cast Housing        | Aluminium/Silicon Alloy                     |
| Gears Finishing     | Involute Grinding Profile                   |
| Differential Type   | Bevel Gear                                  |
| Efficiency          | 95%   |
| Motor Type          | DCPM Direct Current Permanent Magnet        |
| Motor Rated Power   | From 0,3kW up to 1,2kW                      |
| Motor Rated Voltage | From 24V up to 48V                          |
| Motor Insulation    | Class F 155°C (311°F)                       |
| Braking System      | Electromagnetic Brake                       |
| Braking Torque      | From 4Nm up to 12Nm                         |



# TXI DCPM WHEEL HUBS VERSION

## Gears Finishing

Hardened alloy steel gears with involute grinding profile ensure maximum efficiency and low constant noise level

## DCPM Motor

The built-in motor is specifically designed for traction use optimizing size without compromising performances

## EM Brake

Available with several braking torques, it slow and stop trans-axle motion. Hand release available on demand

## Mounting Position

Six (6) standard mounting position (tilt on Z axis from 0° to 180°) gives to trans-axle several installation possibilities

## Wheel Fixing

Twenty (20) different wheel hub models available (interchangeable), with or without wheel studs and nuts

## Lubrication

All our products are supplied "ready to use" with adequate quantity and quality lubricating oil

## Gearbox Casting

Compact and rugged Aluminium alloy gear housing minimizes weights adding strength thanks to the new "Heavy Duty" design

## Weldings

Welding operations are performed by robots ensuring the highest safety criteria (TÜV certified EN ISO 15614:2012)

## Rigid Axle

Drawn tubes 51mm diam. & 7,5mm thickness are heavily installed with built-in studs on gearbox housing

## Finishing

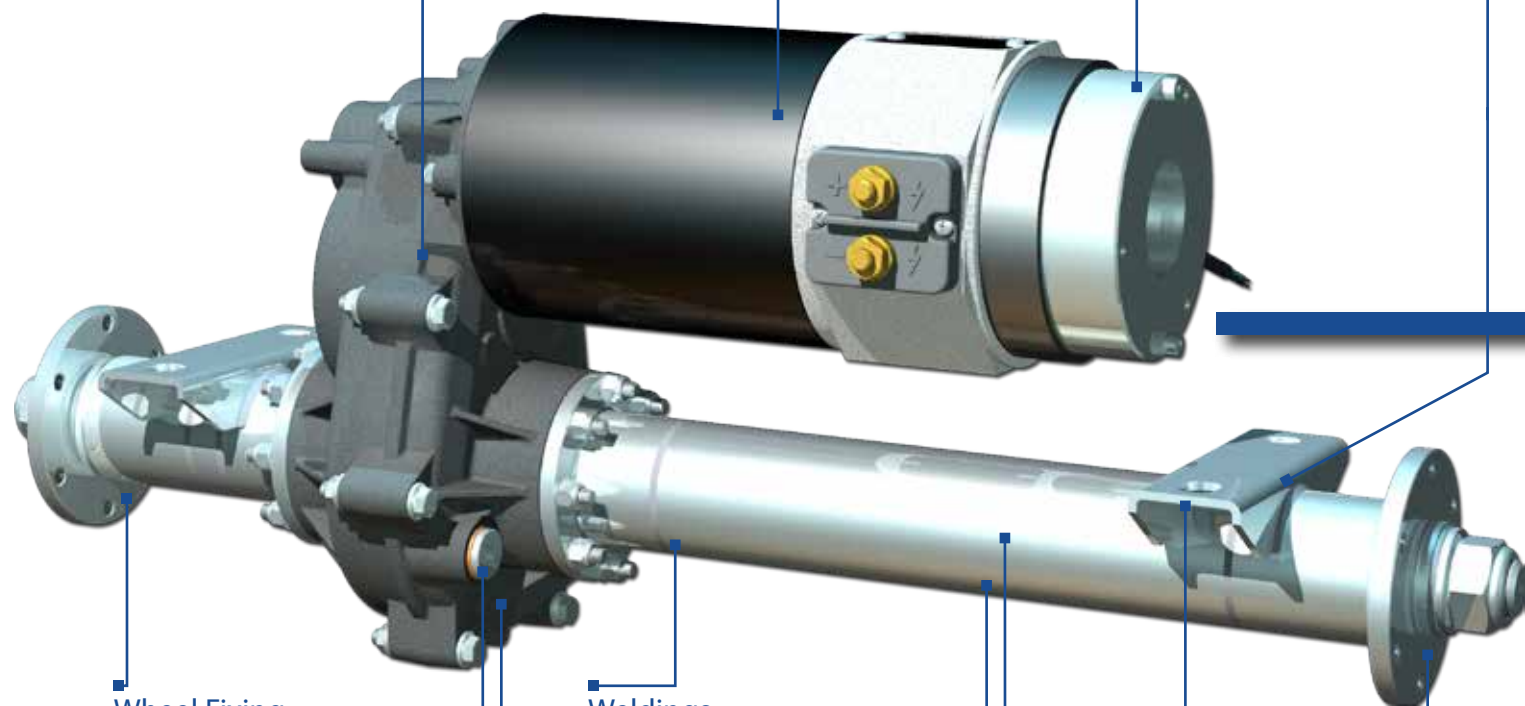
All metallic parts are subjected to long life galvanizing treatment (zinc coating) to withstand the corrosive agents aggression

## Chassis Fixation

Several standard mounting centres available, other mounting options can be developed on demand

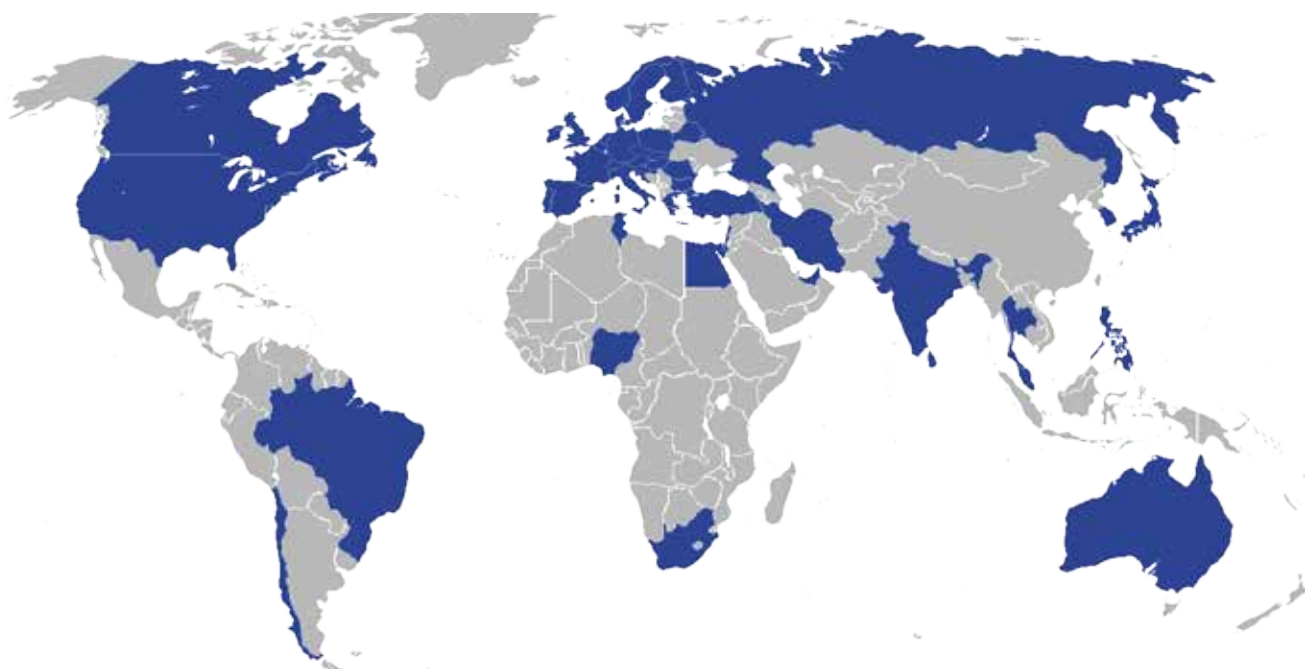
## Track-Width

Five Hundred (500) adjustable standard track-width available on stock from 400mm up to 1150mm (flange to flange)



Designed & Manufactured in Italy

our products are sold in 40 countries across 5 continents



Abu Dabhi  
 Austria  
 Australia  
 Belarus  
 Belgium  
 Brazil  
 Bulgaria  
 Canada  
 Chile  
 Croatia  
 Czech Republic

Denmark  
 Dubai  
 Finland  
 France  
 Germany  
 Hungary  
 India  
 Iran  
 Ireland  
 Israel  
 Italy

Japan  
 Lebanon  
 The Netherlands  
 Nigeria  
 Norway  
 Philippines  
 Poland  
 Portugal  
 Romania  
 Russia  
 Singapore

Slovenia  
 South Africa  
 South Korea  
 Spain  
 Sweden  
 Switzerland  
 Thailand  
 Tunisia  
 Turkey  
 United Kingdom  
 U.S.A.

EXCLUSIEVE DISTRIBUTIE VOOR DE BENELUX:

